

# LAMAX

ELECTRONICS

---

## LAMAX X3.2

ACTION CAMERA



**EN – User Manual**

**DE – Benutzerhandbuch**

**CS – Uživatelská příručka**

**SK – Uživatelská príručka**

**PL – Instrukcja obsługi**

**HU – Felhasználói kézikönyv**

**SL – Navodila za uporabo**

**HR – Upute za uporabu**



# LAMAX

ELECTRONICS

---

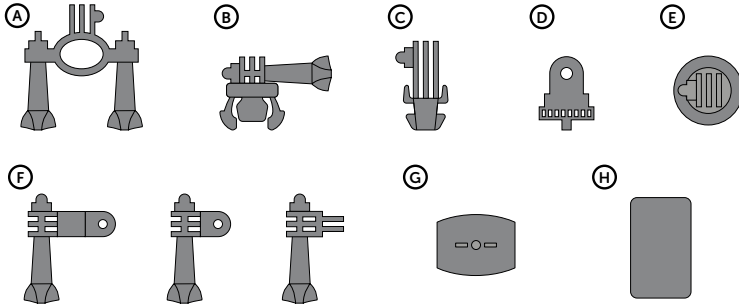
# LAMAX X3.2

ACTION CAMERA



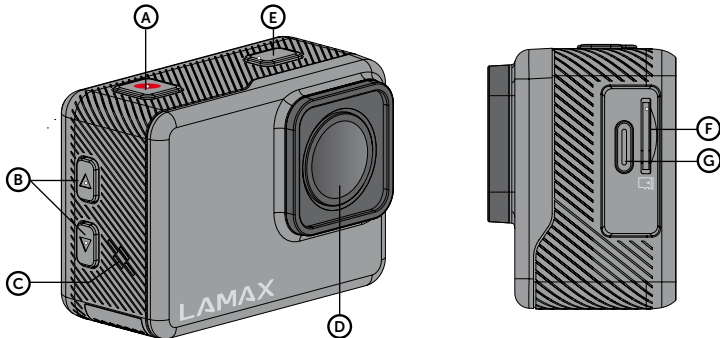


## MOUNTS



- A** Pole mount – for attaching to handlebars
- B** Fast plug-in – for quickly snapping into the mount
- C** J mount – for quick snap-in with elevation
- D** Thread adapter – for connecting the camera without the case
- E** Tripod adapter – for connecting the camera in the case
- F** 3-axis connector – for mounting in any direction
- G** Self-adhesive mount – for attaching to a smooth surface (helmet, bonnet)
- H** Spare 3M pad – for reattaching the self-adhesive mount

## 2. GETTING TO KNOW THE CAMERA




- A** Shutter button
- B** Up/down buttons
- C** System sounds
- D** Lens
- E** Power on/Mode button
- F** Memory card slot
- G** USB-C port

**Note:** Use only recommended accessories, otherwise the camera may be damaged.

### 3. CAMERA CONTROLS

<b>Power on / off</b>	Press and hold the power button for 3 seconds.
<b>Auto turn off</b>	The camera switches off after 3 minutes of inactivity.
<b>Start/stop recording</b>	Press the shutter button to start recording, press the shutter button again to end recording.
<b>Switch modes</b>	Press the Mode button briefly.
<b>Enter the menu</b>	Press and hold the Mode selection button.
<b>Movement in the menu</b>	Press the up/down buttons.
<b>Enter the selected menu item</b>	Press the shutter button briefly.
<b>Turn Wi-Fi on</b>	Press and hold the up button.

### 4. CHARGING

- › The action camera must be fully charged before first use.
- › The action camera can be charged by connecting it to a computer or to a suitable mains adapter (not included) using the supplied USB cable. Charging will start automatically, and the charging light will illuminate. Once the light goes off the action camera is fully charged.
- › Charging time takes approximately 4 hours.
- › When the low battery icon () lights up on the display, the camera will automatically turn off and needs to be charged.

**Note:** If recording is in progress, the camera cannot be charged until you stop recording.

### 5. INSERT THE MEMORY CARD

- › Insert the memory card into the slot so that the contacts face in the same direction as shown in the picture next to the slot. Otherwise, the action camera will not be able to identify it.
- › Insert the card only when the action camera is turned off and not connected to the computer.
- › Format the card directly in the camera before using it for the first time.
- › We recommend using memory cards with higher write speeds, especially if you want to record 4k, Full HD or HD videos.

**Note:** Use memory cards from reputable manufacturers. Non-branded cards do not guarantee proper functioning of the data storage.

- › If you need to remove the memory card, push it slightly with your finger towards the camera to release it from the slot and make it easier to remove.

**Warning:** Never remove the memory card from the action camera by force. There is a risk of damaging both the action camera and the memory card.

### 6. OPERATING THE CAMERA

#### TURNING ON THE ACTION CAMERA

- › Press and hold the power button for 3 seconds. The welcome screen appears, and the camera turns on in video mode.

#### TURNING OFF THE ACTION CAMERA

- › Press and hold the power button for 3 seconds while the camera is in idle mode (not recording, not starting playback, etc.) and the camera will turn off.

## AUTOMATIC SHUTDOWN

- The action camera will automatically turn off after 3 minutes of inactivity in idle mode.

## SHUTDOWN ON LOW CHARGE

- When the battery level is too low, the low battery icon (🔋) lights up on the display and the camera turns off.

## OPERATING MODE SELECTION

The camera is equipped with four operating modes:

- Video mode: for taking recordings;
- Photo mode: for taking pictures;
- Motion mode: a special mode for recording in motion;
- Playback mode: for playing back the current video/photo from the memory card.

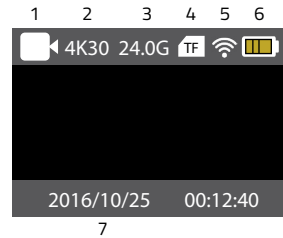
After switching between the modes, briefly press the Mode button. The corresponding mode icon will appear on the top bar of the display:

- Video mode: 📹
- Photo mode mode: 📷
- Motion mode: 🏃
- Playback mode: ▶

### VIDEO MODE

Action camera screen in video mode:

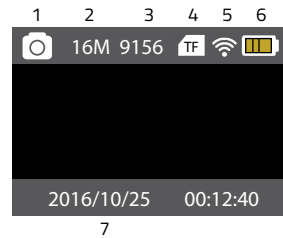
1. Video mode icon
2. Resolution and fps (frames per second)
3. Remaining free capacity on the memory card
4. Inserted memory card icon
5. Wi-Fi icon
6. Battery status icon
7. Time Watermark



### PHOTO MODE

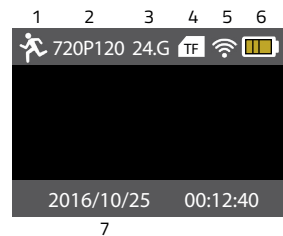
Action camera screen in photo mode:

1. Photo mode icon
2. Resolution
3. Remaining free capacity on the memory card
4. Inserted memory card icon
5. Wi-Fi icon
6. Battery status icon
7. Time Watermark



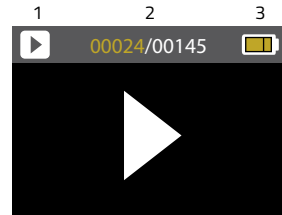
### MOTION MODE

1. Motion mode icon
2. Resolution and fps (frames per second)
3. Remaining free capacity on the memory card
4. Inserted memory card icon
5. Wi-Fi icon
6. Battery status icon
7. Time Watermark



## PLAYBACK MODE

1. Playback mode icon
2. Current file number/total number of files
3. Battery status icon



- After selecting the playback operating mode, press the up/down buttons to select the file you want to play or view.
- Press the trigger button to play or view the file. Press the trigger again to interrupt video playback.
- Press the up/down fast-forward/rewind button while playing or viewing files.
- Press the power button to stop video playback.

## 7. CAMERA FUNCTIONS

<b>Video Resolutio</b>	Video resolution selection.
<b>Recording Sound</b>	Captures the audio track of the video using the built-in microphone.
<b>Time-lapse Video</b>	A technique that involves capturing individual frames at regular intervals and playing them back at an accelerated speed, thus displaying a long-term event in a short time.
<b>Loop Recording</b>	Allows continuous recording by overwriting old data.
<b>Slow Motion</b>	Enables playback of slowed-down footage for detailed tracking of fast actions.
<b>Video bitrate</b>	It determines the quality and size of the video – higher bitrate means better image quality, but also larger file size.
<b>Photo Resolution</b>	2Mpx, 5Mpx, 8Mpx, 12Mpx, 16Mpx
<b>Self-timer</b>	5s, 10s, 20s
<b>Series of photos</b>	Allows taking rapidly consecutive shots at short intervals, ideal for capturing fast actions or motion sequences.
<b>Exposure</b>	Adjusts the amount of light hitting the sensor, thereby affecting the brightness and darkness of captured images.
<b>White Balance</b>	Adjusts the color temperature of the images to match the current lighting conditions and ensure more accurate color reproduction.
<b>Image Rotation</b>	Allows rotation of the image.
<b>Frequency</b>	50Hz, 60Hz
<b>Indicator Light</b>	It blinks when recording video.
<b>Screen Saver</b>	10s, 20s, 30s
<b>Auto Shutdown</b>	1 minute, 3 minutes, 5 minutes, Off
<b>Time Watermark</b>	Serves to insert the current date and time into the video, facilitating identification and organization of recordings.
<b>System sounds</b>	Allows users to individually adjust the volume of system sounds.
<b>Language</b>	English, German, Czech, Slovak, Polish, Hungarian, Lithuanian
<b>Date-Time</b>	Adds a timestamp to videos for easy identification, synchronization, and archiving of recordings.
<b>Format</b>	Restores the card to its default state.
<b>Factory settings</b>	Restores all camera settings to the original factory values.
<b>Firmware Version</b>	Indicates the current firmware version.



## 8. CONNECTION TO PC

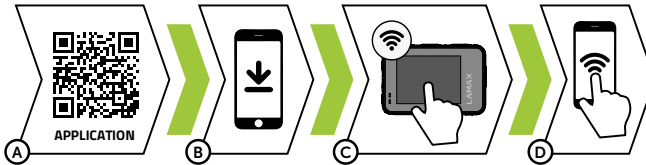
- › Connect the action camera to your computer using the supplied USB cable.
- › Open the folder with the connected external device and you can manage the saved files in the saved files folder.

**Note:** Do not disconnect the action camera from the computer or remove the memory card while downloading files. There is a risk of data loss.

- › If the action camera is connected in U-drive mode (MSDC mode), press the shutter button to switch it to Webcam mode (PCCAM), the display will show: PCCAM.
- › You can now launch the webcam via the application.
- › Press the shutter button briefly to return.

**Note:** The driver for Webcam mode (PCCAM mode) is not required for Windows XP (SP3) or higher.

## 9. WIFI – SMARTPHONE APPLICATION



With the mobile app, you will be able to change camera modes and settings or view and download recorded videos and photos directly to your mobile device.

- (A) Scan the QR code to download the app or click the following link:  
<https://www.lamax-electronics.com/x32/app/>
- (B) Install the app on your mobile device.
- (C) Turn on the WiFi in the camera by pressing the UP button.
- (D) On your mobile device, connect to the WiFi network with the camera name. The WiFi password is displayed on the camera (default: 1234567890).
- (E) After successful connection, open the app and click „Connect Camera“ to enter the camera interface and control it.

## 10. WATER RESISTANCE

**Resistance to immersion in water is guaranteed under the following conditions:**

### **ACTION CAMERA:**

The camera is waterproof only when placed in a waterproof case.

### **WATERPROOF CASE:**

The case can withstand immersion to a depth of 40 metres. Before using the camera inside the case, make sure to close the case's rear door properly using the mechanism on the top of the case. The door and seal must be free of all debris such as dust, sand, etc. When using in salt water, rinse the case down afterwards with fresh water. Do not use any textile cloths or external heat sources (hair dryer, microwave, etc.) to dry the case and always allow it to dry slowly.

## 11. SAFETY PRECAUTIONS

**The consumer is required to learn the principles of safe use of the product before first use.**

### PRECAUTIONS AND NOTICES

- For your own safety, do not use the camera's controls while driving.
- A window mount is needed when using the recorder in a car. Make sure that you place the recorder in an appropriate place, so as not to obstruct the driver's view or deployment of airbags.
- Make sure that no object is blocking the camera lens and no reflective material is placed near the lens. Please keep the lens clean.
- If the car's windshield is tinted or coated, it may impact the recording quality.

### SAFETY PRECAUTIONS

- Do not use the charger in high moisture environment. Never touch the charger when your hands or feet are wet.
- Allow adequate ventilation around the charger when using it to operate the device or to charge the battery. Do not cover the charger with paper or other objects that will reduce cooling. Do not use the charger while it is inside a carrying case.
- Connect the charger to a proper power source. The voltage requirements are found on the product case and/or on the packaging.
- Do not use the charger if it is visibly damaged. In case of damage, do not repair the equipment yourself!
- In case of device overheating, immediately disconnect the power source.
- Charge the device under supervision only.
- Packaging contains small pieces, that can be dangerous for children. Store the product always out of reach of children. Bags or many of the pieces containing may cause suffocation after swallowing.

### SAFETY NOTICES FOR LI-ION BATTERIES


- Before first use, fully charge the battery.
- For charging only use chargers, that is specified for this type of battery.
- Use standard cables for charging, otherwise it could damage the device.
- Never connect to a mechanically damaged charger or if the batteries are swollen. Do not use batteries in this condition due to risk of explosion.
- Do not use any damaged adapter or charger.
- Charge at room temperature, never charge at a temperature below 0°C or at a temperature higher than 40°C.
- Avoid dropping the battery, don't puncture, or mutilate it. Definitely do not attempt to repair a damaged battery.
- Do not expose the charger or battery to moisture, water, rain, snow or any kind of various liquids.
- Do not leave the battery in the car, do not expose to direct sunlight and do not place it near heat sources. Strong light or high temperatures can damage the battery.
- Never leave batteries without supervision during charging, short circuit or accidentally overcharge. Some batteries are unsuitable for fast charging or being charged excessively. This can cause a shock, or due to charger failure, may cause leakage of aggressive chemicals, explosion or subsequent fire!
- In the case of excessive heating of the battery during charging, immediately disconnect it from the power supply.
- Do not place charger and charging battery on or near flammable objects. Beware of curtains, carpets, tablecloths etc.
- Once the battery or device with integrated battery is fully charged, disconnect it from the power supply.
- Keep the battery out of the reach of children and animals.
- Never disassemble the charger or battery. If the battery is integrated, do not disassemble the device, unless stated otherwise. Any such attempt is dangerous and can cause injury or damage to the product and subsequent loss of warranty.

- Do not dispose worn or damaged batteries into the trash, fire or into heating devices, but hand them in at collection points for hazardous waste.

## CARING FOR YOUR DEVICE

- Taking good care of your device will ensure trouble-free operation and reduce the risk of damage.
- Keep your device away from excessive moisture and extreme temperatures and avoid exposing your device to direct sunlight or strong ultraviolet light for extended periods of time.
- Do not drop your device or subject it to severe shock.
- Do not subject your device to sudden and severe temperature changes. This could cause moisture condensation inside the unit, which could damage your device. In the event of moisture condensation, allow the device to dry out completely before use.
- The screen surface can easily be scratched. Avoid touching it with sharp objects.
- Never clean your device when it is powered on. Use a soft, lint-free cloth to wipe the screen and the exterior of your device. Do not use paper towels to clean the screen.
- Never attempt to disassemble, repair or make any modifications to your device. Disassembly, modification or any attempt at repair could cause damage to your device and even bodily injury or property damage and will void any warranty.
- Do not store or carry flammable liquids, gases or explosive materials in the same compartment as your device, its parts or accessories.
- To discourage theft, do not leave the device and accessories in plain view in an unattended vehicle.
- Overheating may damage the device.
- In the case of contact with heavily chlorinated water or sea water, rinse the camera and all used accessories, in drinking water and dry it.
- Do not use an external heat source such as a microwave oven or hair dryer to dry the camera.
- Always make sure that the battery door or the power port door is not ajar before swimming or diving. If they are, close them. Otherwise, the camera will not remain watertight.
- Only wipe the display with a cloth that is designed for this purpose to avoid scratching it.

## OTHER INFORMATION

1) For households: This marking indicates  that this product should not be disposed with other household wastes throughout the EU. To prevent possible harm to the environment or human health from uncontrolled waste disposal, recycle it responsibly to promote the sustainable reuse of material resources. To return your used device, please use the return and collection systems or contact the retailer where the product was purchased. They can take this product for environmental safe recycling. In case of incorrect disposal of this kind of wastes user can be fined according to national laws. User information for disposal of electric and electronic devices in countries outside the EU: The symbol stated above (crossed recycle bin) is valid only in countries in European Union. For correct disposal of electric and electronic devices ask your city hall or distributor of these devices. Everything is expressed by the symbol of crossed recycle bin on product, cover or printed materials.

2) You can determine a warranty service at the place of purchase. In case of technical problems or queries contact your dealer who will inform you about the following procedure. Follow the rules for work with electric devices. User is not allowed to disassembly the device neither replace any of its components. To reduce the risk of electric shock, do not remove or open the cover. In case of incorrect setup and plug in of device you will expose yourself risk of electric shock.

The warranty period for products is 24 months, unless otherwise stated. The warranty does not cover damage caused by non-standard use, mechanical damage, exposure to extreme conditions, handling contrary to the manual or normal wear and tear. The warranty period for the battery is 24 months, and for its capacitor 6 months. For more information on the warranty, please visit [www.elem6.com/warranty](http://www.elem6.com/warranty).

The manufacturer, importer or distributor shall not be liable for any damage caused by the installation or improper use of the product.

## EU DECLARATION OF CONFORMITY

elem6 s.r.o. hereby declares that LAMAX X3.2 are in compliance with the requirements and other relevant provisions of Directives 2014/30/EU, 2014/53/EU and RoHS 2011/65/EU Annex II 2015/863. The all LAMAX products are intended for sale without restrictions in Germany, the Czech Republic, Slovakia, Poland, Hungary and other EU member states. The declaration of conformity can be downloaded from <https://www.lamax-electronics.com/support/doc/>

- Frequency band in which the radio equipment operates: 2.41–2.475 GHz
- Maximum radio-frequency power transmitted in the frequency band in which the radio equipment operates: 6 dBi

### MANUFACTURER:

elem6 s.r.o., Braškovská 308/158, 161 00 Praha 6  
[www.lamax-electronics.com](http://www.lamax-electronics.com)



**Misprints and changes in the manual are reserved.**

# LAMAX

ELECTRONICS

---

# LAMAX X3.2

ACTION CAMERA



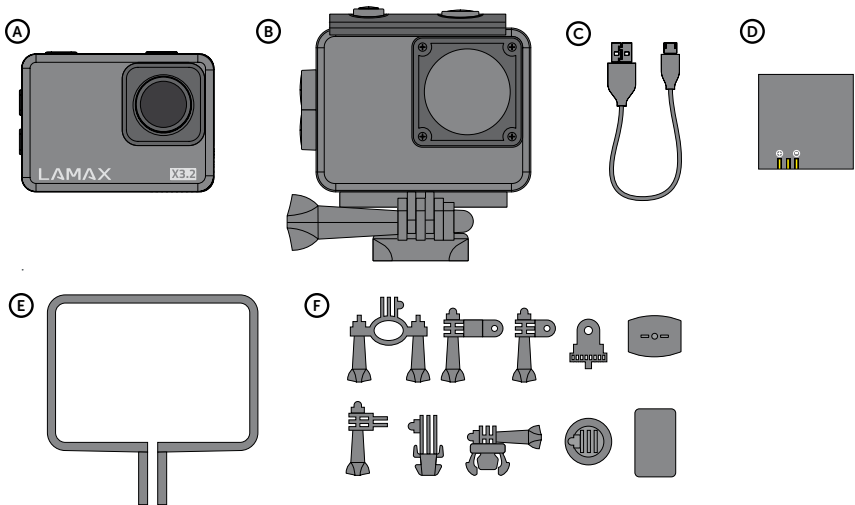
---

## INHALT

1. VERPACKUNGSIHALT .....	2
2. KAMERA KENNENLERNEN .....	3
3. KAMERASTEUERUNG .....	4
4. LADEN .....	4
5. EINSETZEN DER SPEICHERKARTE .....	4
6. BEDIENUNG DER KAMERA .....	5
7. KAMERAFUNKTIONEN .....	6
8. ANSCHLUSS AN DEN PC .....	7
9. WI-FI – SMARTPHONE-ANWENDUNG .....	7
10. WASSERDICHTHEIT .....	7
11. SICHERHEITSMASSNAHMEN .....	8

---

## 1. VERPACKUNGSIHALT



**A** LAMAX X3.2 Action-Kamera

**B** Wasserdichtes Gehäuse bis zu 40 m

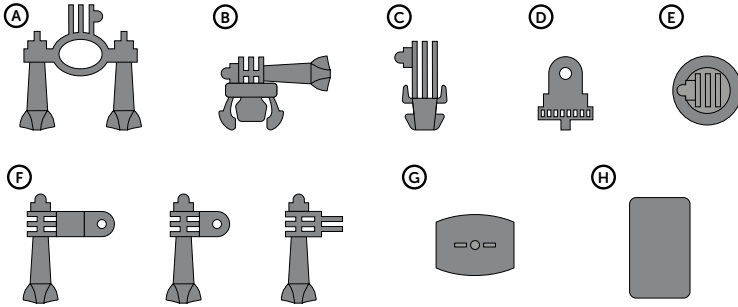
**C** USB-Kabel zum Aufladen / Übertragen von Dateien

**D** Li-Ionen-Akku

**E** Rahmen

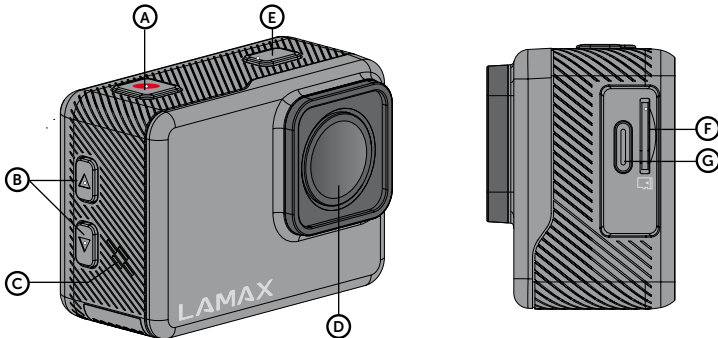
**F** Halterungen

## HALTERUNGEN



- (A) Halterung für Stangen – z.B. zur Befestigung am Lenker
- (B) Fast plug-in – für schnelles Einrasten der Halterung
- (C) J-mount – für schnelles Einrasten mit Erhöhung
- (D) Stativreduktion – für den Anschluss der Kamera ohne Hülle
- (E) Stativadapter – für den Anschluss der Kamera in der Hülle an das Stativ
- (F) 3-Axis Connector (3 Teile) – zur Befestigung in beliebiger Richtung
- (G) Selbstklebender Halter – zur Befestigung an glatten Oberflächen (Helm, Motorhaube)
- (H) 3M-Ersatzträger – zum Wiederanbringen der selbstklebenden Halterung

## 2. KAMERA KENNENLERNEN



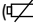
- (A) Auslöser
- (B) Auf/Ab-Tasten
- (C) Tastenton
- (D) Objektiv
- (E) Einschalt-/Modus-Taste
- (F) Speicherkartensteckplatz
- (G) USB-C-Anschluss

**Hinweis:** Verwenden Sie nur das empfohlene Zubehör, da die Kamera sonst beschädigt werden kann.

### 3. KAMERASTEUERUNG

<b>Ein-/Ausschalten</b>	Drücken Sie die Ein/Aus-Taste und halten Sie sie 3 Sekunden lang gedrückt.
<b>Automatisches Ausschalten</b>	Die Kamera schaltet sich nach 3 Minuten Inaktivität aus.
<b>Aufnahme starten/beenden</b>	Drücken Sie den Auslöser, um die Aufnahme zu starten, drücken Sie den Auslöser erneut, um die Aufnahme zu beenden.
<b>Moduswechsel Drücken</b>	Sie kurz auf die Modustaste.
<b>Aufrufen des Menüs</b>	Drücken und halten Sie die Moduswahl Taste.
<b>Bewegen im Menü</b>	Drücken Sie die Auf-/Ab-Tasten.
<b>Aufrufen des ausgewählten Menüpunkts</b>	Drücken Sie kurz auf den Auslöser.
<b>Wi-Fi einschalten</b>	Drücken und halten Sie die Aufwärtstaste.

### 4. LADEN

- › Die Action-Kamera muss vor dem ersten Gebrauch vollständig aufgeladen werden.
- › Die Action-Kamera kann aufgeladen werden, indem sie über das mitgelieferte USB-Kabel an einen Computer oder an ein geeignetes Netzteil (nicht im Lieferumfang enthalten) angeschlossen wird. Der Ladevorgang beginnt automatisch, und die Ladeanzeige leuchtet auf. Sobald das Licht erlischt, ist die Action-Kamera vollständig aufgeladen.
- › Der Ladevorgang dauert etwa 4 Stunden.
- › Wenn das Symbol für niedrigen Batteriestand () auf dem Display aufleuchtet, schaltet sich die Kamera automatisch aus und muss aufgeladen werden.

**Hinweis:** Wenn eine Aufnahme läuft, kann die Kamera erst aufgeladen werden, wenn Sie die Aufnahme beenden.

### 5. EINSETZEN DER SPEICHERKARTE

- › Setzen Sie die Speicherkarte so in den Steckplatz ein, dass die Kontakte in die gleiche Richtung zeigen wie in der Abbildung neben dem Steckplatz dargestellt. Andernfalls kann sie von der Action-Kamera nicht erkannt werden.
- › Setzen Sie die Karte nur ein, wenn die Action-Kamera ausgeschaltet und nicht mit dem Computer verbunden ist.
- › Formatieren Sie die Karte direkt in der Kamera, bevor Sie sie zum ersten Mal verwenden.
- › Wir empfehlen die Verwendung von Speicherkarten mit höheren Schreibgeschwindigkeiten, insbesondere wenn Sie 4k-, Full HD- oder HD-Videos aufnehmen möchten.

**Hinweis:** Verwenden Sie Speicherkarten von namhaften Herstellern. Karten von Fremdherstellern garantieren keine einwandfreie Funktion der Datenspeicherung.

- › Wenn Sie die Speicherkarte herausnehmen müssen, drücken Sie sie leicht mit dem Finger in Richtung Kamera, um sie aus dem Steckplatz zu lösen und das Herausnehmen zu erleichtern.

**Warnung:** Entfernen Sie die Speicherkarte niemals mit Gewalt aus der Action-Kamera. Es besteht die Gefahr, dass sowohl die Action-Kamera als auch die Speicherkarte beschädigt werden.



## 6. BEDIENUNG DER KAMERA

### EINSCHALTEN DER ACTION-KAMERA

- › Halten Sie die Einschalttaste 3 Sekunden lang gedrückt. Der Begrüßungsbildschirm erscheint, und die Kamera schaltet sich im Videomodus ein.

### AUSSCHALTEN DER ACTION-KAMERA

- › Halten Sie die Einschalttaste 3 Sekunden lang gedrückt, während sich die Kamera im Ruhezustand befindet (keine Aufnahme, kein Start der Wiedergabe usw.), und die Kamera schaltet sich aus.

### AUTOMATISCHES AUSSCHALTEN

- › Die Action-Kamera schaltet sich nach 3 Minuten Inaktivität im Ruhezustand automatisch ab.

### ABSCHALTUNG BEI NIEDRIGEM LADEZUSTAND





- › Wenn der Akkustand zu niedrig ist, leuchtet das Symbol für niedrigen Akkustand (🔋) auf dem Display auf und die Kamera schaltet sich aus.

### AUSWAHL DES BETRIEBSMODUS

Die Kamera ist mit vier Betriebsmodi ausgestattet:

- › Videomodus: für die Aufnahme von Videos;
- › Fotomodus: für die Aufnahme von Bildern;
- › Bewegungsmodus: ein spezieller Modus für Aufnahmen in Bewegung;
- › Wiedergabemodus: zum Wiedergeben des aktuellen Videos/Fotos von der Speicherkarte.

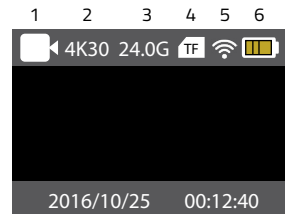
Nachdem Sie zwischen den Modi umgeschaltet haben, drücken Sie kurz die Modustaste. Das entsprechende Modus-Symbol wird in der oberen Leiste des Displays angezeigt:

- › Video-Modus: 
- › Fotomodus: 
- › Bewegungsmodus: 
- › Wiedergabemodus: 

### VIDEO-MODUS

Bildschirm der Action-Kamera im Videomodus:

1. Symbol für den Videomodus
2. Auflösung und fps (Bilder pro Sekunde)
3. Verbleibende freie Kapazität auf der Speicherkarte
4. Symbol für eine eingelegte Speicherkarte
5. Wi-Fi-Symbol
6. Symbol für den Batteriestatus
7. Zeit-Wasserzeichen



### FOTOMODUS

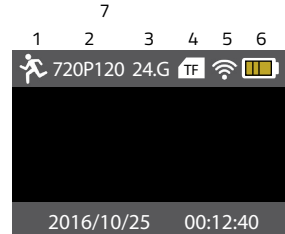
Bildschirm der Action-Kamera im Fotomodus:

1. Symbol für den Fotomodus
2. Auflösung
3. Verbleibende freie Kapazität auf der Speicherkarte
4. Symbol für eine eingelegte Speicherkarte
5. Wi-Fi-Symbol
6. Symbol für den Batteriestatus
7. Zeit-Wasserzeichen

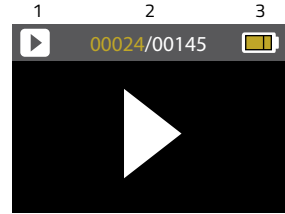


### BEWEGUNGSMODUS

1. Symbol für den Bewegungsmodus
2. Auflösung und fps (Bilder pro Sekunde)
3. Verbleibende freie Kapazität auf der Speicherkarte
4. Symbol für eine eingelegte Speicherkarte



5. Wi-Fi-Symbol
6. Symbol für den Batteriestatus
7. Zeit-Wasserzeichen



## WIEDERGABEMODUS

1. Symbol für den Wiedergabemodus
2. Aktuelle Dateinummer/Gesamtzahl der Dateien
3. Symbol für den Batteriestatus

- › Nachdem Sie den Wiedergabemodus ausgewählt haben, wählen Sie mit den Aufwärts-/Abwärtstasten die Datei aus, die Sie abspielen oder ansehen möchten.
- › Drücken Sie die Auslösetaste, um die Datei abzuspielen oder anzusehen. Drücken Sie den Auslöser erneut, um die Videowiedergabe zu unterbrechen.
- › Drücken Sie während der Wiedergabe oder Anzeige von Dateien die Aufwärts-/Abwärtstaste für den schnellen Vorlauf/Rücklauf.
- › Drücken Sie die Einschalttaste, um die Videowiedergabe zu beenden.

## 7. KAMERA FUNKTIONEN

<b>Video-Auflösung</b>	Auswahl der Videoauflösung.
<b>Audio-Aufnahme</b>	Nimmt die Tonspur des Videos mit dem eingebauten Mikrofon auf.
<b>Zeitraffer-Videoaufnahme</b>	Eine Technik, die darin besteht, einzelne Bilder in regelmäßigen Abständen aufzunehmen und sie in beschleunigter Geschwindigkeit abzuspielen, wodurch ein langfristiges Ereignis in kurzer Zeit dargestellt wird.
<b>Schleifenaufnahme</b>	Ermöglicht kontinuierliche Aufzeichnung durch Überschreiben alter Daten.
<b>Zeitlupe</b>	Ermöglicht die Wiedergabe von verlangsamtten Aufnahmen zur detaillierten Verfolgung schneller Aktionen.
<b>Video-Bitrate</b>	Bestimmt die Qualität und Größe des Videos – höhere Bitrate bedeutet bessere Bildqualität, aber auch größere Dateigröße.
<b>Fotoauflösung</b>	2Mpx, 5Mpx, 8Mpx, 12Mpx, 16Mpx
<b>Selbstporträt</b>	5s, 10s, 20s
<b>Serie von Fotos</b>	Ermöglicht schnell aufeinanderfolgende Aufnahmen in kurzen Abständen, ideal zum Einfangen schneller Aktionen oder Bewegungsabläufe.
<b>Belichtung</b>	Passt die Menge des Lichts an, das auf den Sensor fällt, und beeinflusst so die Helligkeit und Dunkelheit der aufgenommenen Bilder.
<b>Weißabgleich</b>	Passt die Farbtemperatur der Bilder an, um den aktuellen Lichtverhältnissen zu entsprechen und eine genauere Farbwiedergabe sicherzustellen.
<b>Bilddrehung</b>	Ermöglicht die Rotation des Bildes.
<b>Frequenz der Lichtquelle</b>	50Hz, 60Hz
<b>LED-Anzeigeleuchte</b>	Es blinkt, wenn ein Video aufgenommen wird.
<b>Bildschirmschoner</b>	10s, 20s, 30s
<b>Automatische Abschaltung</b>	1 Minute, 3 Minuten, 5 Minuten, Aus
<b>Zeit-Wasserzeichen</b>	Dient zum Einfügen des aktuellen Datums und der aktuellen Uhrzeit in das Video, was die Identifikation und Organisation der Aufnahmen erleichtert.
<b>Tastenton</b>	Ermöglicht es den Benutzern, die Lautstärke der Systemtöne individuell anzupassen.
<b>Sprache</b>	Englisch, Deutsch, Tschechisch, Slowakisch, Polnisch, Ungarisch, Litauisch
<b>Datum und Uhrzeit</b>	Fügt Videos einen Zeitstempel hinzu, um eine einfache Identifikation, Synchronisierung und Archivierung der Aufnahmen zu ermöglichen.

<b>Format</b>	Stellt die Karte in den Ausgangszustand zurück.
<b>Zurücksetzen auf Werkseinstellungen</b>	Setzt alle Kameraeinstellungen auf die ursprünglichen Werkseinstellungen zurück.
<b>Firmware-Version</b>	Gibt die aktuelle Firmware-Version an.

## 8. ANSCHLUSS AN DEN PC

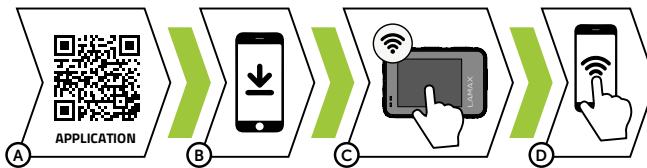
- Schließen Sie die Action-Kamera über das mitgelieferte USB-Kabel an Ihren Computer an.
- Öffnen Sie den Ordner mit dem angeschlossenen externen Gerät und Sie können die gespeicherten Dateien im Ordner „Gespeicherte Dateien“ verwalten.

**Hinweis:** Trennen Sie die Action-Kamera nicht vom Computer und nehmen Sie die Speicherkarte nicht heraus, während Sie Dateien herunterladen. Es besteht die Gefahr eines Datenverlusts.

- Wenn die Action-Kamera im U-Drive-Modus (MSDC-Modus) angeschlossen ist, drücken Sie den Auslöser, um sie in den Webcam-Modus (PCCAM) zu schalten: PCCAM.
- Sie können nun die Webcam über die Anwendung starten.
- Drücken Sie kurz den Auslöser, um zurückzukehren.

**Hinweis:** Der Treiber für den Webcam-Modus (PCCAM-Modus) ist für Windows XP (SP3) oder höher nicht erforderlich.

## 9. WI-FI – SMARTPHONE-ANWENDUNG



Mit der mobilen App können Sie Kameramodi und -einstellungen ändern oder aufgenommene Videos und Fotos direkt auf Ihr Mobilgerät ansehen und herunterladen.

- A** Scannen Sie den QR-Code, um die App herunterzuladen, oder klicken Sie auf den folgenden Link:  
<https://www.lamax-electronics.com/x32/app/>
- B** Installieren Sie die App auf Ihrem mobilen Gerät.
- C** Schalten Sie Wi-Fi auf der Kamera ein, indem Sie die UP-Taste drücken.
- D** Stellen Sie auf Ihrem Mobilgerät eine Verbindung zum Wi-Fi-Netzwerk mit dem Namen der Kamera her. Das Wi-Fi-Passwort wird auf dem Kameradisplay angezeigt (werkseitig 1234567890).
- E** Nach erfolgreicher Verbindung öffnen Sie die App und klicken Sie auf „Kamera verbinden“, um die Kameraoberfläche zu öffnen und zu steuern.

## 10. WASSERDICHTHEIT

**Die Beständigkeit gegen das Eintauchen in Wasser ist unter den folgenden Bedingungen erfüllt:**

### ACTION-KAMERA:

Die Kamera ist nur wasserdicht, wenn sie in einer wasserdichten Hülle untergebracht ist.

### WASSERDICHTE HÜLLE:

Die Hülle ist bis zu einer Tiefe von 40 Metern tauchfest. Vergewissern Sie sich vor der Verwendung der Kamera in der Hülle, dass die hintere Tür der Hülle mit dem Mechanismus auf der Oberseite der Hülle richtig geschlossen ist. Die Tür und die Dichtung der Hülle müssen frei von Schmutz wie Staub, Sand usw. sein. Bei Verwendung in

Salzwasser ist die Hülle mit Trinkwasser abzuspülen. Verwenden Sie zum Trocknen der Hülle keine Textilien oder externe Wärmequellen (Haartrockner, Mikrowelle usw.), lassen Sie die Hülle immer langsam trocknen.

## 11. SICHERHEITSMASSNAHMEN

**Der Kunde verpflichtet sich zuerst den sicheren Gebrauch des Produktes zu aus der Bedienungsanleitung zu erlernen.**

### WARNUNGEN, INFORMATIONEN UND SICHERHEITSMASSNAHMEN

- Aus Sicherheitszwecken bedienen Sie die Kamera nicht während sie ein Fahrzeug führen.
- Wenn Sie die Kamera im Auto benutzen möchten ist eine Saugnapfhalterung nötig. Die Kamera muss an einer geeigneten Stelle angebracht werden um die Sicht des Fahrers nicht zu behindern und Sicherheitsrelevante Systeme wie Airbags nicht zu behindern oder zu stören.
- Das Objektiv der Kamera darf nicht verdeckt sein und in der Nähe sollten sich keine reflektierenden Materialien befinden. Halten Sie das Objektiv sauber.
- Wenn die Windschutzscheibe mit einer reflektierenden Schicht verfärbt ist kann die Qualität der Videoaufnahme niedriger sein.

### SICHERHEITSHINWEISE

- Ladegerät nicht in sehr feuchter Umgebung benutzen. Fassen Sie das Gerät nie an wenn Sie nasse Hände oder im Wasser stehen.
- Wenn das Gerät geladen oder mit Strom versorgt wird oder lassen Sie genügend Abstand zu anderen Gegenständen um ein ausreichende Lüftung zu gewährleisten. Decken Sie das Ladegerät nicht mit Papieren oder anderen Materialien zu um die Kühlung nicht zu behindern. Benutzen Sie das Ladegerät nicht in der Verpackung.
- Das Ladegerät immer an die richtige Netzspannung anschließen. Einspeise Spannung finden Sie auf dem Gerät oder auf der Verpackung.
- Ladegerät nicht benutzen wenn es augenscheinlich beschädigt ist. Versuchen Sie das Gerät nicht selber reparieren.
- Wenn das Gerät zu heiß werden sollte, sofort von der Stromzufuhr trennen.
- Der Packungsinhalt beinhaltet kleine Teile, die eine Gefahr für Kinder darstellen können. Bewahren Sie das Produkt stets außerhalb der Reichweite von Kindern auf. Die Verpackung und Enthaltene Kleinteile können bei Verschlucken eine Erstickungsgefahr darstellen.

### SICHERHEITSHINWEISE ZU LITHIUM-IONEN-AKKUS


- Laden Sie vor der ersten Verwendung den Akku vollständig auf.
- Verwenden Sie zum Laden nur Ladegeräte, welche für diesen Gerätetyp bestimmt sind.
- Verwenden Sie nur zugelassene Ladekabel, ansonsten riskieren Sie eine Beschädigung des Geräts.
- Laden Sie das Gerät niemals, wenn es beschädigt ist, oder der Akku angeschwollen ist. Verwenden Sie niemals beschädigte Akkus, da sonst Explosionsgefahr besteht.
- Verwenden Sie niemals beschädigte Ladegeräte, oder Ladeadapter.
- Laden Sie das Gerät bei Raumtemperatur, niemals bei unter 0°C, oder bei über 40°C.
- Lassen Sie den Akku niemals fallen, versuchen Sie niemals den Akku zu öffnen oder zu verändern. Versuchen Sie niemals einen beschädigten Akku zu reparieren.
- Bringen Sie den Akku niemals in Kontakt mit Feuchtigkeit, Wasser, Regen, Schnee, oder jeglicher Form von Flüssigkeit.
- Lassen Sie den Akku niemals unbeaufsichtigt im Auto, oder setzen ihn direkter Sonneneinstrahlung bzw. übermäßiger Hitze aus. Bei übermäßiger Sonneneinstrahlung oder Hitzeeinwirkung kann es zu Beschädigungen kommen und es besteht Explosionsgefahr.
- Lassen Sie den Akku während des Ladevorgangs niemals unbeaufsichtigt, schließen Sie den Akku niemals kurz oder überladen ihn. Akkus die unsachgemäß geladen werden, oder während des Ladevorgangs Stößen ausgesetzt sind, können auslaufen und gefährliche Chemikalien freisetzen die zu Verätzungen oder sogar Feuer führen können.

- Trennen Sie bei Auftreten von übermäßiger Hitze den Akku umgehend vom Ladegerät und verwenden Sie diesen nicht mehr.
- Verwenden Sie das Ladegerät und den ladenden Akku niemals in der Nähe von brennbaren Objekten wie z.B. Vorhängen, Tischdecken, etc.
- Nachdem der Akku vollständig aufgeladen ist, trennen Sie diesen aus Sicherheitsgründen vom Ladegerät.
- Bewahren Sie den Akku stets außerhalb der Reichweite von Kindern oder Tieren auf.
- Nehmen Sie das Ladegerät oder den Akku niemals auseinander. Falls der Akku im Gerät integriert ist, versuchen Sie niemals den Akku aus dem Gerät zu entfernen oder auszubauen. Zusätzlich zu den oben beschriebenen Gefahren verfällt hierdurch auch die Garantie Ihres Geräts.
- Entsorgen Sie Akkus niemals im normalen Hausmüll oder werfen ihn in ein Feuer. Entsorgen Sie Akkus stets bei den dafür vorgesehenen Sammelstellen für Gefahrgut.

## GERÄTEPFLEGE

- Eine gute Gerätepflege sichert Ihnen einen einwandfreien Betrieb, Langlebigkeit und mindert das Risiko von Beschädigungen.
- Halten Sie das Gerät fern von extremer Feuchtigkeit und Temperaturen, setzen Sie das Gerät langfristig nicht ultravioletter und Sonneneinstrahlung aus.
- Vermeiden Sie starke Schläge und Fall des Gerätes.
- Setzen Sie das Gerät keinen extremen Temperaturschwankungen aus. Dies könnte zu Kondenswasserbildung im inneren des Geräts führen und das Gerät beschädigen. Bei Kondenswasserbildung lassen Sie das Gerät vor weiterer Inbetriebnahme mehrere Tage gründlich trocknen.
- Die Displayoberfläche kann leicht verkratzen. Nicht mit scharfen Gegenständen berühren.
- Gerät nicht putzen wenn eingeschaltet. Um das Display und die Kamera zu reinigen benutzen Sie ein Fusselreies feines Tuch. Display nicht mit Papiertaschentüchern reinigen.
- Versuchen Sie nie die Kamera auseinander zu nehmen, selber zu reparieren oder sonst wie zu verändern. In allen Fällen von Demontage oder anderen Änderungen des Geräts verfällt die Garantie und es kann zu Verletzungen oder sogar Schäden an Eigentum kommen.
- Lagern und transportieren Sie das Gerät oder seine Teile nicht in der Nähe von brennbaren Materialien, Flüssigkeiten, Gasen oder Sprengmaterial.
- Um Diebstahl vorzubeugen lassen Sie das Gerät oder Zubehör sichtbar im Auto ohne Aufsicht.
- Überhitzung kann das Gerät beschädigen.
- Laden Sie das Gerät nur unter Aufsicht.
- Wenn die Autokamera und alles gebrauchte Zubehör, mit stark chlorhaltigem oder mit Salzwasser in Berührung kommt, spülen Sie sie mit Trinkwasser ab und trocknen Sie sie ab.
- Verwenden Sie keine externen Wärmequellen zum Austrocknen der Autokamera, wie beispielsweise eine Mikrowelle oder einen Fön.
- Kontrollieren Sie vor dem Schwimmen oder dem Tauchen immer, dass das Batteriefach oder die Ladeport-Abdeckung nicht geöffnet sind. Falls doch, schließen Sie sie. Sonst wird die Autokamera nicht wasserdicht sein.
- Wischen Sie das Display nur mit einem dafür vorgesehenen Tuch ab, um es nicht zu verkratzen.

## WEITERE ANGABEN

1) Für Haushalte: Das angeführte Symbol () auf dem Gerät oder in der begleitenden Dokumentation bedeutet, dass die gebrauchten elektrischen oder elektronischen Produkte nicht zusammen mit dem Restmüll entsorgt werden dürfen. Damit sie ordnungsgemäß entsorgt werden können, geben Sie sie bitte an der dafür bestimmten Sammelstellen ab, wo sie kostenlos angenommen werden. Durch die richtige Entsorgung dieses Produkts helfen Sie, die wertvollen natürlichen Rohstoffe zu erhalten und dem potentiellen negativen Einfluss auf die Umwelt und die menschliche Gesundheit, die die negativen Folgen einer falschen Entsorgung darstellen, vorzubeugen. Erfragen Sie weitere Details bei der lokalen Behörde oder bei der nächsten Sammelstelle. Bei einer falschen Entsorgung dieser Produktenart können Ihnen gemäß den lokalen Vorschriften Geldbußen auferlegt werden. Informationen für die Entsorgung der elektrischen oder elektronischen Geräten (Nutzung seitens Firmen und Unternehmen): Erfragen Sie detaillierte Informationen über die Entsorgung der elektrischen

und elektronischen Geräte bei Ihrem Händler oder Lieferanten. Informationen über die Entsorgung der elektrischen und elektronischen Geräte für die Benutzer aus anderen Ländern außerhalb der Europäischen Union: Das oben angeführte Symbol (durchgestrichene Mülltonne) ist nur in den Ländern der Europäischen Union gültig. Für eine ordnungsgemäße Entsorgung der elektrischen und elektronischen Geräte erfragen Sie detaillierte Informationen bei Ihren Behörden oder Händlern. Das Symbol der durchgestrichenen Mülltonne steht für alle oben aufgeführten Vorschriften.

2) Machen Sie die Garantiereparaturen des Geräts bei Ihrem Händler geltend. Bei technischen Problemen und Fragen setzen Sie sich mit Ihrem Händler in Verbindung, der Sie über das weitere Vorgehen informieren wird. Halten Sie sich an die Regeln des Umgangs mit Gerät. Der Benutzer ist nicht berechtigt, die Geräte auseinanderzunehmen und oder irgendeinen Teil von ihnen auszuwechseln. Beim Auseinandernehmen oder Abnehmen des Gehäuses droht das Risiko einer Verletzung durch einen Stromschlag. Bei einer nicht korrekten Zusammensetzung des Geräts und dessen nachfolgenden Anschluss an die Stromversorgung setzen Sie sich auch dem Risiko einer Stromverletzung aus.

Die Garantifrist für Produkte beträgt 24 Monate, soweit nicht etwas anderes festgelegt ist. Die Garantie bezieht sich nicht auf Schäden durch nicht bestimmungsgemäße Verwendung, unsachgemäße Gebrauchsbefindungen, Umgang im Widerspruch zum Handbuch oder normale Abnutzung. Die Garantiezeit für die Batterie beträgt 24 Monate, für ihre Kapazität 6 Monate. Für weitere Informationen besuchen Sie die Website [www.elem6.com/warranty](http://www.elem6.com/warranty)

Der Hersteller, Importeur oder Vertriebshändler haften für keine Schäden infolge unsachgemäßer Montage oder nicht bestimmungsgemäßer Verwendung des Produktes.

### EU-KONFORMITÄTSERKLÄRUNG

Die Firma elem6 s.r.o. erklärt hiermit, dass LAMAX X3.2 in Übereinstimmung mit den grundlegenden Anforderungen und anderen einschlägigen Bestimmungen der Richtlinien 2014/30/EU, 2014/53/EU und RoHS 2011/65/EU Anhang II 2015/863 stehen. Die Produkte TrueLife sind für den uneingeschränkten Vertrieb in Deutschland, Tschechien, der Slowakei, Polen, Ungarn und anderen EU-Mitgliedsländern bestimmt. Die Konformitätserklärung kann auf der Webseite <https://www.lamax-electronics.com/support/doc/> heruntergeladen werden.

- Frequenzbereich in denen das Radiogerät operiert: 2.41–2.475 GHz
- Maximale Radiofrequenzstärke, die über den/die Frequenzbereich des Geräts abgestrahlt wird: 6 dBi

### HERSTELLER:

elem6 s.r.o., Braškovská 308/158, 161 00 Prag 6  
[www.lamax-electronics.com](http://www.lamax-electronics.com)



**Druckfehler und Änderungen in der Betriebsanleitung sind vorbehalten.**

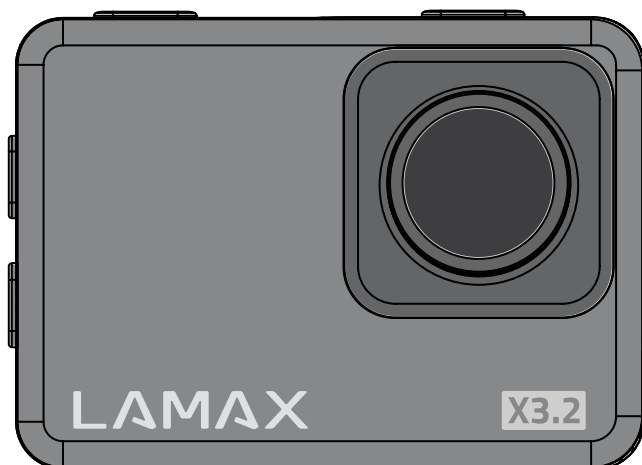
# LAMAX

ELECTRONICS

---

# LAMAX X3.2

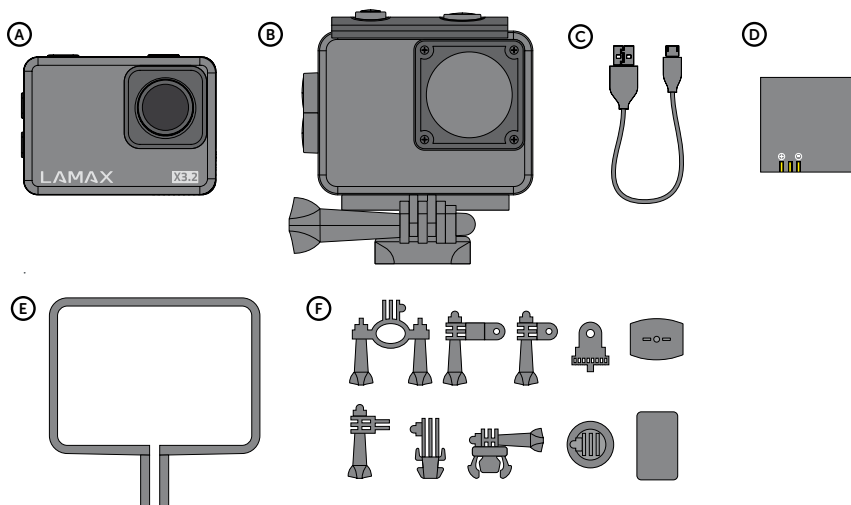
ACTION CAMERA



## OBSAH

1. OBSAH BALENÍ.....	2
2. SEZNÁMENÍ S KAMEROU.....	3
3. PŘEHLED OVLÁDÁNÍ KAMERY .....	4
4. NABÍJENÍ.....	4
5. VLOŽENÍ PAMĚŤOVÉ KARTY .....	4
6. OVLÁDÁNÍ KAMERY.....	4
7. FUNKCE KAMERY .....	6
8. PŘIPOJENÍ K POČÍTAČI.....	7
9. WIFI – MOBILNÍ APLIKACE.....	7
10. VODOTĚSNOST.....	7
11. BEZPEČNOSTNÍ OPATŘENÍ.....	8

## 1. OBSAH BALENÍ



**A** Akční kamera LAMAX X3.2

**B** Vodotěsný obal do 40 m

**C** USB kabel pro nabíjení / přenos souborů

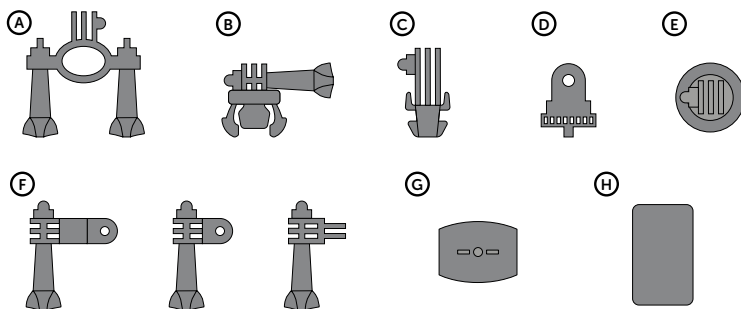
**D** Li-ion baterie

**E** Rámeček

**F** Úchyty

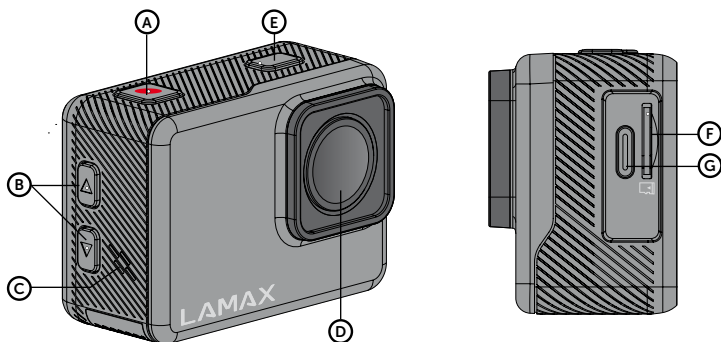


## ÚCHYTY



- A** Držák na tyč – pro upevnění například na řídítka
- B** Fast plug-in – pro rychlé navlaknutí držáku
- C** J mount – pro rychlé navlaknutí s vyvýšením
- D** Redukce na stativ – pro připojení kamery bez pouzdra na příslušenství
- E** Adaptér na stativ – pro připojení kamery v pouzdra na stativ
- F** 3-axis connector (3 části) – pro upevnění libovolným směrem
- G** Samolepící držák – pro uchycení na hladký povrch (helma, kapota)
- H** Náhradní 3M podložka – pro opětovné nalepení samolepícího držáku

## 2. SEZNÁMENÍ S KAMEROU



- A** Spoušť
- B** Tlačítka nahoru/dolů
- C** Systémové zvuky
- D** Čočka
- E** Tlačítko zapnutí/výběru provozního režimu
- F** Slot na paměťovou kartu
- G** USB-C port

**Poznámka:** Používejte pouze doporučené příslušenství, v opačném případě může dojít k poškození kamery.

### 3. PŘEHLED OVLÁDÁNÍ KAMERY

<b>Zapnutí a vypnutí</b>	Stiskněte a podržte tlačítko zapnutí 3 sekundy.
<b>Automatické vypnutí</b>	Kamera se vypne po 3 minutách nečinnosti.
<b>Spuštění / ukončení záznamu</b>	Stiskněte spoušť pro spuštění záznamu, opětovným stisknutím spouště záznam ukončíte.
<b>Přepnutí režimů</b>	Stiskněte krátce tlačítko výběru provozního režimu.
<b>Vstup do nabídky</b>	Stiskněte a podržte tlačítko výběru provozního režimu.
<b>Pohyb v nabídce</b>	Stiskněte tlačítka nahoru/dolů.
<b>Vstup do vybrané položky nabídky</b>	Stiskněte krátce spoušť.
<b>Zapnutí Wi-Fi</b>	Stiskněte a podržte tlačítko nahoru.

### 4. NABÍJENÍ

- Před prvním použitím je třeba akční kameru plně nabít.
- Akční kameru je možné nabíjet připojením k počítači nebo k vhodnému síťovému adaptéru (není součástí balení) pomocí dodávaného USB kabelu. Nabíjení se automaticky zahájí a kontrolka nabíjení se rozsvítí. Jakmile zhasne je akční kamera plně nabitá.
- Doba nabíjení trvá přibližně 4 hodiny.
- Když se na displeji rozsvítí ikona slabé baterie (🔋), kamera se automaticky vypne a je třeba ji nabít.

**Poznámka:** Pokud je spuštěn záznam, kameru nebude možné nabíjet, dokud jej neukončíte.

### 5. VLOŽENÍ PAMĚŤOVÉ KARTY

- Paměťovou kartu vložte do slotu tak, aby kontakty směřovaly stejným směrem, který je znázorněn na obrázku vedle slotu. V opačném případě akční kamera nebude moct identifikovat.
- Kartu vkládejte pouze, když je akční kamera vypnutá a není připojená k počítači.
- Kartu před prvním použitím zformátujte přímo v kameře.
- Doporučujeme používat paměťové karty s vyšší zapisovací rychlostí, zvláště pokud chcete nahrávat videa s rozlišením 4k, Full HD nebo HD.

**Poznámka:** Používejte jen paměťové karty od renomovaných výrobců. Karty neznámkových výrobců nezaručují správné fungování datového úložiště.

- Pokud potřebujete paměťovou kartu vyjmout, mírně ji zatlačte prstem směrem do kamery, čímž ji uvolníte ze slotu a bude ji moci snadněji vyjmout.

**Varování:** Nikdy nevyjímejte paměťovou kartu z akční kamery silou. Hrozí poškození akční kamery i paměťové karty.

### 6. OVLÁDÁNÍ KAMERY

#### ZAPNUTÍ AKČNÍ KAMERY

- Stiskněte a podržte tlačítko zapnutí 3 sekundy. Zobrazí se úvodní obrazovka a kamera se zapne v režimu videa.

#### VYPNUTÍ AKČNÍ KAMERY

- Stiskněte a podržte tlačítko zapnutí 3 sekundy, když je kamera v klidovém režimu (není spuštěn záznam, není spuštěn přehrávání apod.), a kamera se vypne.

## AUTOMATICKÉ VYPNUTÍ

- Akční kamera se automaticky vypne, po 3 minutách nečinnosti v klidovém režimu.

## VYPNUTÍ PŘI NÍZKÉM STAVU NABITÍ

- Když je stav baterie příliš nízký, na displeji se rozsvítí ikona slabé baterie (🔋) a kamera se vypne.

## VÝBĚR PROVOZNÍHO REŽIMU

Kamera je vybavena čtyřmi provozními režimy:

- Režim video: pro pořizování záznamů;
- Režim fotografie: pro fotografování;
- Režim pohybu: speciální režim pro pořizování záznamů v pohybu;
- Režim přehrávání: pro přehrávání aktuálního videa/fotografie z paměťové karty.

Po přepínání mezi jednotlivými režimy stiskněte krátce tlačítko výběru provozního režimu. Na horní liště displeje se zobrazí ikona příslušného režimu:

- Režim video: 🎥
- Režim fotografie: 📷
- Režim pohybu: 🚶
- Režim přehrávání: ▶

### REŽIM VIDEO

Obrazovka akční kamery v režimu video:

1. Ikona režimu video
2. Rozlišení a fps (počet snímků za sekundu)
3. Zbývající volná kapacita na paměťové kartě
4. Ikona vložené paměťové karty
5. Ikona Wi-Fi
6. Ikona stavu nabití baterie
7. Čas ve videu



### REŽIM FOTOGRAFIE

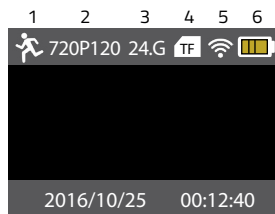
Obrazovka akční kamery v režimu fotografie:

1. Ikona režimu fotografie
2. Rozlišení
3. Zbývající volná kapacita na paměťové kartě
4. Ikona vložené paměťové karty
5. Ikona Wi-Fi
6. Ikona stavu nabití baterie
7. Čas ve videu



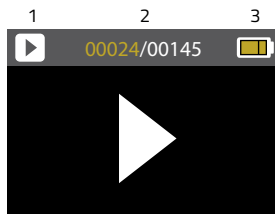
### REŽIM POHYBU

1. Ikona režimu pohybu
2. Rozlišení a fps (počet snímků za sekundu)
3. Zbývající volná kapacita na paměťové kartě
4. Ikona vložené paměťové karty
5. Ikona Wi-Fi
6. Ikona stavu nabití baterie
7. Čas ve videu



## REŽIM PŘEHRÁVÁNÍ

1. Ikona režimu přehrávání
2. Číslo aktuálního souboru/celkový počet souborů
3. Ikona stavu nabití baterie



- ▶ Po výběru provozního režimu přehrávání stiskněte tlačítka nahoru/dolů, abyste vybrali soubor, který chcete přehrát nebo zobrazit.
- ▶ Stiskněte tlačítko spouště pro spuštění nebo zobrazení souboru. Opětovným stisknutím spouště přerušíte přehrávání videa.
- ▶ Při přehrávání nebo zobrazení souborů stiskněte tlačítko nahoru/dolů rychlé přehrávání/přetáčení vpřed.
- ▶ Stiskněte tlačítko zapnutí pro ukončení přehrávání videa.

## 7. FUNKCE KAMERY

<b>Rozlišení videa</b>	Výběr rozlišení videa.
<b>Nahrávání zvuku</b>	Zachytí zvukovou stopu videa pomocí integrovaného mikrofону.
<b>Časosběr video</b>	Technika, která spočívá ve snímání jednotlivých snímků v pravidelných intervalech a jejich následném zrychleném přehrávání, čímž se zobrazuje dlouhodobý děj v krátkém čase.
<b>Nahrávání ve smyčce</b>	Umožňuje nepřetržitý záznam přepisováním starých dat.
<b>Zpomalené video</b>	Umožňuje přehrávání zpomalených záběrů pro detailní sledování rychlých akcí.
<b>Datový tok videa</b>	Určuje kvalitu a velikost videa – vyšší datový tok znamená lepší kvalitu obrazu, ale také větší velikost souboru.
<b>Rozlišení fotografie</b>	2Mpx, 5Mpx, 8Mpx, 12Mpx, 16Mpx
<b>Samospoušť</b>	5s, 10s, 20s
<b>Série fotografií</b>	Umožňuje pořizovat rychle za sebou jdoucí snímky v krátkých intervalech, což je ideální pro zachycení rychlých akcí nebo sekvencí pohybu.
<b>Expozice</b>	Upravuje množství světla, které dopadá na senzor, čímž ovlivňuje světlotlost a tmavost pořízených snímků.
<b>Vyvážení bílé</b>	Upravuje barevnou teplotu snímků, aby odpovídala aktuálním podmínkám osvětlení a zajistila přesnější reprodukci barev.
<b>Otočení obrazu</b>	Umožňuje otočení obrazu.
<b>Frekvence</b>	50Hz, 60Hz
<b>LED dioda</b>	Bliká, když se nahrává video.
<b>Spořič obrazovky</b>	10s, 20s, 30s
<b>Automatické vypnutí</b>	1 minuta, 3 minuty, 5 minut, Vypnuto
<b>Čas ve videu</b>	Slouží k vložení aktuálního data a času do videa, což usnadňuje identifikaci a organizaci záznamů.
<b>Systémové zvuky</b>	Umožňuje uživatelům individuálně nastavit hlasitost systémových zvuků.
<b>Jazyk</b>	Angličtina, němčina, čeština, slovenština, polština, maďarština, litevština
<b>Datum a čas</b>	Přidává čas do videa pro snadnou identifikaci, synchronizaci a archivaci záznamů.
<b>Formátovat</b>	Obnoví kartu do výchozího stavu.
<b>Tovární nastavení</b>	Vrací všechna nastavení kamery na původní výrobní hodnoty.
<b>Verze firmwaru</b>	Označuje aktuální verzi firmwaru.

## 8. PŘIPOJENÍ K POČÍTAČI

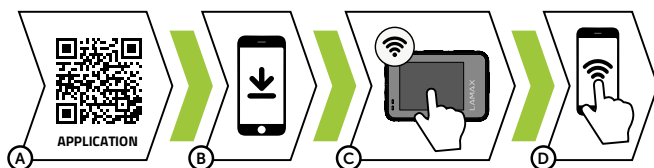
- Připojte akční kameru k počítači pomocí dodávaného USB kabelu.
- Otevřete adresář s připojeným externím zařízením a ve složce s uloženými soubory můžete spravovat uložené soubory.

**Poznámka:** Během stahování souborů neodpojujte akční kameru od počítače ani nevyjímejte paměťovou kartu. Hrozí ztráta dat.

- Pokud je akční kamera připojena v režimu U-disk (režim MSDC), stisknutím tlačítka spouště ji přepnete do režimu webové kamery (PCCAM), na displeji se zobrazí: PCCAM.
- Nyní můžete spustit webovou kameru prostřednictvím aplikace.
- Pro návrat zpět stiskněte krátce tlačítko spouště.

**Poznámka:** Není nutný ovladač pro režim webové kamery (režim PCCAM) pro verzi Windows XP (SP3) nebo vyšší.

## 9. WIFI – MOBILNÍ APLIKACE



Díky mobilní aplikaci budete moci měnit režimy a nastavení kamery nebo prohlížet a stahovat natočená vide a fotografie přímo do vašeho mobilního zařízení.

- Načtete QR kód pro stažení aplikace nebo kliknete na následující odkaz:  
<https://www.lamax-electronics.com/x32/app/>
- Nainstalujete aplikaci do vašeho mobilního zařízení.
- Zapnete Wi-Fi v kameře dlouhým stisknutím tlačítka nahoru.
- Na vašem mobilním zařízení se připojte k Wi-Fi síti s názvem kamery. Heslo na Wi-Fi je zobrazené na displeji kamery (z výroby 12345678).
- Po úspěšném propojení otevřete aplikaci a klikněte na „Připojit kameru“, abyste vstoupili do rozhraní kamery a mohli ji ovládat.

## 10. VODOTĚSNOST

**Odolnost proti ponoření do vody je splněna za těchto podmínek:**

### AKČNÍ KAMERA:

Kamera je vodotěsná pouze při vložení do vodotěsného pouzdra.

### VODOTĚSNÉ POUZDRO:

Pouzdro odolá ponoření do hloubky 40 metrů. Před použitím kamery v pouzdru se ujistěte o správném uzavření zadních dvířek pouzdra pomocí mechanismu na horní straně pouzdra. Dvířka a těsnění pouzdra musí být zbaveno veškerých nečistot, jako je prach, písek a podobně. Při použití ve slané vodě opláchněte pouzdro pitnou vodou. K osušení nepoužívejte žádné textilní látky či externí zdroje tepla (fén, mikrovlnná trouba apod.), pouzdro vždy nechejte pozvolna vyschnout.

## 11. BEZPEČNOSTNÍ OPATŘENÍ

**Před prvním použitím je spotřebitel povinen se seznámit se zásadami bezpečného používání výrobku.**

### ZÁSADY A UPOZORNĚNÍ

- Pro zajištění vlastní bezpečnosti nepoužívejte ovládací prvky tohoto přístroje při řízení.
- Při používání rekordéru v autě je nezbytný okenní držák. Rekordér umístěte na vhodné místo tak, aby nebránil ve výhledu řidiče ani v aktivaci bezpečnostních prvků (např. airbagů).
- Objektiv kamery nesmí být ničím blokován a v blízkosti objektivu se nesmí nacházet žádný reflexní materiál. Uchovávejte objektiv čistý.
- Pokud je čelní sklo automobilu zbarveno reflexní vrstvou, může to omezovat kvalitu záznamu.

### BEZPEČNOSTNÍ ZÁSADY

- Nepoužívejte nabíječku ve vysoce vlhkém prostředí. Nikdy se nabíječky nedotýkejte mokřýma rukama nebo stojíte-li ve vodě.
- Při napájení přístroje nebo nabíjení baterie ponechte kolem nabíječky dostatečný prostor pro cirkulaci vzduchu. Nepřikrývejte nabíječku papíry ani jinými předměty, které by mohly zhoršit její chlazení. Nepoužívejte nabíječku uloženou v transportním obalu.
- Nabíječku připojujte ke správnému zdroji napětí. Údaje o napětí jsou uvedeny na plášti výrobku nebo na jeho obalu.
- Nepoužívejte nabíječku, je-li zjevně poškozena. V případě poškození zařízení sami neopravujte!
- V případě nadměrného zahřívání přístroj okamžitě odpojte od přívodu energie.
- Nabíjejte zařízení pod dohledem.
- Balení obsahuje malé dílky, které mohou být nebezpečné pro děti. Produkt vždy ukládejte mimo dosah dětí. Sáčky nebo mnoho dílků, které obsahují, mohou po spolknutí nebo po nasazení na hlavu způsobit udušení.

### BEZPEČNOSTNÍ UPOZORNĚNÍ PRO LI-ION BATERIE


- Před prvním použitím baterii plně nabijte.
- Pro nabíjení používejte jen nabíječku, která je pro tento typ baterie určena.
- Používejte standardní kabely pro nabíjení, jinak by mohlo dojít k poškození zařízení.
- V žádném případě nepřipojujte k nabíječce mechanicky poškozené nebo nafouklé baterie. Baterie v takovém stavu již vůbec nepoužívejte, hrozí nebezpečí výbuchu.
- Nepoužívejte jakkoliv poškozený síťový adaptér nebo nabíječku.
- Nabíjení provádějte za pokojové teploty, nikdy nenabíjejte při teplotě nižší než 0 °C nebo při teplotě vyšší než 40 °C.
- Dejte pozor na pády, baterii neprorážejte ani jinak nepoškozujte. Poškozenou baterii rozhodně neopravujte.
- Nevystavujte nabíječku ani baterii působení vlhkosti, vody, dešti, sněhu nebo různým nástřikům.
- Baterii nenechávejte ve vozidle, nevystavujte slunečnímu záření a nedávejte poblíž zdrojů tepla. Silné světlo či vysoké teploty mohou baterii poškodit.
- Během nabíjení neopnechávejte akumulátory nikdy bez dohledu, zkrat nebo náhodné přebití (akumulátoru nevhodného pro rychlonabíjení nebo nabíjeného nadměrným proudem či při poruše nabíječky) může způsobit únik agresivních chemikálií, explozi nebo následný požár!
- V případě, že při nabíjení baterie dochází k jejímu nadměrnému ohřívání, tak baterii okamžitě odpojte.
- Nabíječku a nabíjený akumulátor neumísťujte při nabíjení na nebo do blízkosti hořlavých předmětů. Pozor na záclony, koberce, ubrusy atd.
- Jakmile je dobíjené zařízení plně dobíto, odpojte jej z důvodu bezpečnosti.
- Udržujte baterii mimo dosah dětí i zvířat.
- Nabíječku ani baterii nikdy nerozebírejte.
- Pokud je baterie integrovaná, nikdy nerozebírejte zařízení, pokud není stanoveno jinak. Jakýkoliv takový pokus je riskantní a může mít za následek poškození produktu a následnou ztrátu záruky.

- Nevyhazujte opotřebované nebo poškozené baterie do odpadkového koše, ohně či do topných zařízení, ale odevzdejte je ve sběrnách nebezpečného odpadu.

## ÚDRŽBA PŘÍSTROJE

- Dobrá údržba tohoto přístroje zajistí bezproblémový provoz a omezí nebezpečí poškození.
- Uchovávejte přístroj mimo extrémní vlhkost a teploty a nevystavujte přístroj dlouhodobě přímému slunečnímu nebo ultrafialovému záření.
- Zabraňte pádu přístroje ani jej nevystavujte silným nárazům.
- Nevystavujte přístroj náhlým a prudkým změnám teplot. Mohlo by to způsobit kondenzování vlhkosti uvnitř zařízení, což by mohlo přístroj poškodit. V případě, kdy dojde ke kondenzaci vlhkosti, před dalším používáním nechte přístroj dokonale vyschnout.
- Povrch displeje se může snadno poškrábat. Nedotýkejte se jej ostrými předměty.
- Zásadně nečistěte přístroj, když je zapnutý. K čištění displeje a vnějšího povrchu přístroje použijte měkký netřepivý hadřík. Nečistěte displej papírovými utěrkami.
- Zásadně se nepokoušejte přístroj rozebírat, opravovat nebo jakkoli upravovat. V případě demontáže, úprav nebo jakéhokoli pokusu o opravu dochází k propadnutí záruky a může dojít k poškození přístroje či dokonce ke zranění nebo škodám na majetku.
- Neskladujte ani nepřevázejte hořlavé kapaliny, plyny nebo výbušné materiály pohromadě s přístrojem, jeho částmi nebo doplňky.
- Aby se zabránilo krádeži, nenechávejte přístroj a příslušenství na viditelném místě ve vozidle bez dozoru.
- Přehřátí může přístroj poškodit.
- Při styku se silně chlorovanou nebo mořskou vodou kameru a veškeré použité příslušenství, opláchněte v pitné vodě a osušte ji.
- Na vysušení kamery nepoužívejte externí zdroj tepla jako například mikrovlnou troubu nebo sušák na vlasy.
- Před plaváním nebo potápěním vždy zkontrolujte, jestli nejsou pootevřená dvířka baterie nebo dvířka k napájecím portům. Pokud ano, zavřete je. Jinak kamera nebude vykazovat vodotěsnost.
- Displej utírejte jen utěrkou, která je k tomu určená a vyhněte se tak jeho poškrábání.

## DALŠÍ INFORMACE

1) Pro domácnosti: Uvedený symbol  na výrobku nebo v průvodní dokumentaci znamená, že použité elektrické nebo elektronické výrobky nesmí být likvidovány společně s komunálním odpadem. Za účelem správné likvidace výrobku jej odevzdejte na určených sběrných místech, kde budou přijata zdarma. Správnou likvidací tohoto produktu pomůžete zachovat cenné přírodní zdroje a napomáháte prevenci potenciálních negativních dopadů na životní prostředí a lidské zdraví, což by mohly být důsledky nesprávné likvidace odpadů. Další podrobnosti si vyžádejte od místního úřadu nebo nejbližšího sběrného místa. Při nesprávné likvidaci tohoto druhu odpadu mohou být v souladu s národními předpisy uděleny pokuty. Informace pro uživatele k likvidaci elektrických a elektronických zařízení (firemní a podnikové použití): Pro správnou likvidaci elektrických a elektronických zařízení si vyžádejte podrobné informace u Vašeho prodejce nebo dodavatele. Informace pro uživatele k likvidaci elektrických a elektronických zařízení v ostatních zemích mimo Evropskou unii: Výše uvedený symbol (přeškrtnutý koš) je platný pouze v zemích Evropské unie. Pro správnou likvidaci elektrických a elektronických zařízení si vyžádejte podrobné informace u Vašich úřadů nebo prodejce zařízení. Vše vyjadřuje symbol přeškrtnutého kontejneru na výrobku, obalu nebo tištěných materiálech.

2) Záruční opravy zařízení uplatňujte u svého prodejce. V případě technických problémů a dotazů kontaktujte svého prodejce, který Vás bude informovat o dalším postupu. Dodržujte pravidla pro práci s elektrickými zařízeními. Uživatel není oprávněn rozebírat zařízení ani vyměňovat žádnou jeho součást. Při otevření nebo odstranění krytů hrozí riziko úrazu elektrickým proudem. Při nesprávném sestavení zařízení a jeho opětovném zapojení se rovněž vystavujete riziku úrazu elektrickým proudem.

Záruční lhůta je na produkty 24 měsíců, pokud není stanovena jinak. Záruka se nevztahuje na poškození způsobené nestandardním používáním, mechanickým poškozením, vystavením agresivním podmínkám,

zacházením v rozporu s manuálem a běžným opotřebením. Záruční doba na baterii je 24 měsíců, na její kapacitu 6 měsíců. Více informací ohledně záruky naleznete na [www.elem6.com/warranty](http://www.elem6.com/warranty)

Výrobce, dovozce ani distributor nenesou žádnou odpovědnost za jakékoli škody způsobené montáží nebo nesprávným užíváním produktu.

### EU PROHLÁŠENÍ O SHODĚ

Společnost elem6 s.r.o. tímto prohlašuje, že zařízení LAMAX X3.2 je ve shodě se základními požadavky a dalšími příslušnými ustanoveními směrnice 2014/30/EU, 2014/53/EU a RoHS 2011/65/EU Annex II 2015/863. Všechny produkty značky LAMAX jsou určeny pro prodej bez omezení v Německu, České republice, Slovensku, Polsku, Maďarsku a v dalších členských zemích EU. Úplné prohlášení o shodě lze stáhnout z webu <https://www.lamax-electronics.com/support/doc/>

- Kmitočtové pásmo, v němž rádiové zařízení pracuje: 2.41–2.475 GHz
- Maximální radiofrekvenční výkon vysílaný v kmitočtovém pásmu, v němž je rádiové zařízení provozováno: 6 dBi

### VÝROBCE:

elem6 s.r.o., Braškovská 308/158, 161 00 Praha 6  
[www.lamax-electronics.com](http://www.lamax-electronics.com)



**Tiskové chyby a změny v manuálu jsou vyhrazeny.**



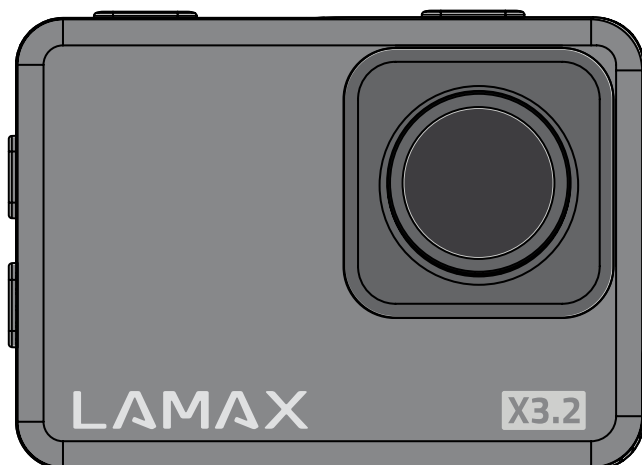
# LAMAX

ELECTRONICS

---

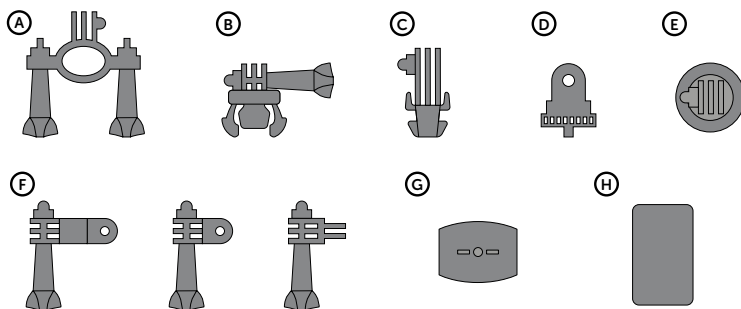
# LAMAX X3.2

ACTION CAMERA



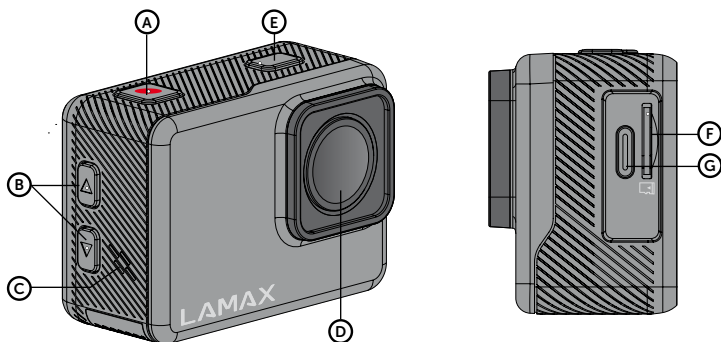


## ÚCHYTY



- A** Držiak na tyč – pre upevnenie napríklad na riadidlá
- B** Fast plug-in – pre rýchle navaknutie držiaku
- C** J mount – pre rýchle navaknutie s vyvýšením
- D** Redukcia na statív – pre pripojenie kamery bez puzdra na príslušenstvo
- E** Adaptér na statív – pre pripojenie kamery v puzdre na statív
- F** 3-axis connector (3 časti) – pre upevnenie ľubovoľným smerom
- G** Samolepiaci držiak – na pripevnenie na hladký povrch (prilba, kapucňa)
- H** Náhradný 3M podklad – na opätovné pripevnenie samolepiaceho držiaku

## 2. ZOZNÁMENIE S KAMEROU




- A** Spúšť
- B** Tlačidlá nahor/nadol
- C** Zvuky systému
- D** Šošovka
- E** Tlačítko zapnutia/výberu provozného režimu
- F** Slot na pamäťovú kartu
- G** USB-C port

**Poznámka:** Používajte len odporúčané príslušenstvo, inak môže dôjsť k poškodeniu fotoaparátu.

### 3. PREHĽAD OVLÁDANIA KAMERY

<b>Zapnutie a vypnutie</b>	Stlačte a podržte tlačidlo zapnutia na 3 sekundy.
<b>Automatické vypnutie</b>	Kamera sa vypne po 3 minútach nečinnosti.
<b>Spustenie/ukončenie záznamu</b>	Stlačením spúšte spustíte nahrávanie, opätovným stlačením spúšte nahrávanie ukončíte.
<b>Prepnutie režimov</b>	Krátko stlačte tlačidlo voľby prevádzkového režimu.
<b>Vstup do ponuky</b>	Stlačte a podržte tlačidlo voľby prevádzkového režimu.
<b>Pohyb v ponuke</b>	Stlačte tlačidlá nahor/nadol.
<b>Vstup do vybranej položky ponuky</b>	Krátko stlačte tlačidlo spúšte.
<b>Zapnutie Wi-Fi</b>	Stlačte a podržte tlačidlo nahor.

### 4. NABÍJANIE

- Akčná kamera musí byť pred prvým použitím úplne nabitá.
- Akčnú kameru možno nabíjať pripojením k počítaču alebo k vhodnému sieťovému adaptéru (nie je súčasťou dodávky) pomocou dodaného kábla USB. Nabíjanie sa spustí automaticky a rozsvieti sa kontrolka nabíjania. Keď kontrolka zhasne, akčná kamera je plne nabitá.
- Nabíjanie trvá približne 4 hodiny.
- Keď sa na displeji rozsvieti ikona slabej batérie () , kamera sa automaticky vypne a je potrebné ju nabiť.

**Poznámka:** Ak prebieha nahrávanie, kamera sa nemôže nabíjať, kým nahrávanie nezastavíte.

### 5. VLOŽENIE PAMÄŤOVEJ KARTY

- Vložte pamäťovú kartu do slotu tak, aby kontakty smerovali rovnakým smerom, ako je znázornené na obrázku vedľa slotu. V opačnom prípade ju akčná kamera nebude môcť identifikovať.
- Kartu vkladajte len vtedy, keď je akčná kamera vypnutá a nie je pripojená k počítaču.
- Pred prvým použitím karty ju naformátujte priamo vo fotoaparáte.
- Odporúčame používať pamäťové karty s vyššou zapisovacou rýchlosťou, najmä ak chcete nahrávať videá s rozlíšením 4k, Full HD alebo HD.

**Poznámka:** Používajte len pamäťové karty od renomovaných výrobcov. Karty neznámkových výrobcov nezaručujú správne fungovanie dátového úložiska.

- Ak potrebujete vybrať pamäťovú kartu, prstom ju mierne zatlačte smerom k fotoaparátu, aby ste ju uvoľnili zo slotu a uľahčili jej vybratie.

**Upozornenie:** Nikdy nevyberajte pamäťovú kartu z akčnej kamery silou. Hrozí poškodenie akčnej kamery a pamäťovej karty.

### 6. OVLÁDANIE KAMERY

#### ZAPNUTIE AKČNEJ KAMERY

- Stlačte a podržte tlačidlo napájania na 3 sekundy. Zobrazí sa úvodná obrazovka a fotoaparát sa zapne v režime videa.

#### VYPNUTIE AKČNEJ KAMERY

- Keď je kamera v nečinnom režime (nie je spustený záznam, nie jespustené prehrávanie atď.), stlačte a podržte tlačidlo napájania na 3 sekundy a kamera sa vypne.

## AUTOMATICKÉ VYPNUTIE

- Akčná kamera sa automaticky vypne po 3 minútach nečinnosti v kľudovom režime.

## VYPNUTIE PRI NÍZKOM STAVU NABITIA

- Keď je stav batérie príliš nízky, na displeji sa rozsvieti ikona slabej batérie (🔋) a kamera sa vypne.

## VÝBER PREVÁDZKOVÉHO REŽIMU

Kamera je vybavená štyrmi prevádzkovými režimami:

- Režim videa: pre vytváranie záznamov;
- Režim fotografie: pre fotografovanie;
- Režim pohybu: špeciálny režim pre vytváranie záznamov v pohybu;
- Režim prehrávania: prehrávanie aktuálneho videa/fotografie z pamätevej karty.

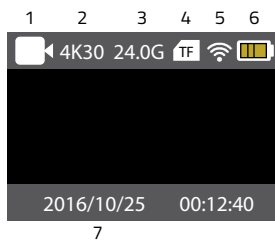
Pre prepínanie medzi jednotlivými režimami krátko stlačte tlačidlo výberu prevádzkového režimu. Na hornej lište displeja sa zobrazí ikona príslušného režimu:

- Režim video: 🎥
- Režim fotografie: 📷
- Režim pohybu: 🚶
- Režim prehrávania: ▶

### REŽIM VIDEO

Obrazovka akčnej kamery v režime video:

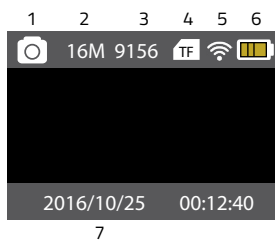
1. Ikona režimu video
2. Rozlíšenie a fps (počet snímkov za sekundu)
3. Zostávajúca voľná kapacita na pamätevej karte
4. Ikona vloženej pamätevej karty
5. Ikona Wi-Fi
6. Ikona stavu nabitia batérie
7. Čas vo videu



### REŽIM FOTOGRAFIE

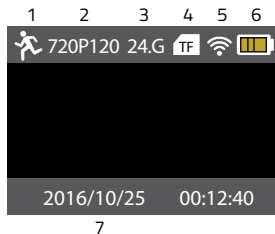
Obrazovka akčnej kamery v režime fotografie:

1. Ikona režimu fotografie
2. Rozlíšenie
3. Zostávajúca voľná kapacita na pamätevej karte
4. Ikona vloženej pamätevej karty
5. Ikona Wi-Fi
6. Ikona stavu nabitia batérie
7. Čas vo videu



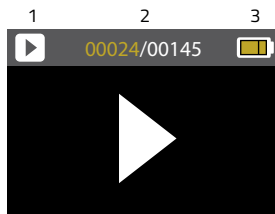
### REŽIM POHYBU

1. Ikona režimu pohybu
2. Rozlíšenie a fps (počet snímkov za sekundu)
3. Zostávajúca voľná kapacita na pamätevej karte
4. Ikona vloženej pamätevej karty
5. Ikona Wi-Fi
6. Ikona stavu nabitia batérie
7. Čas vo videu



## REŽIM PREHRÁVANIA

1. Ikona režimu prehrávania
2. Číslo aktuálneho súboru/celkový počet súborov
3. Ikona stavu nabitia batérie



- ▶ Po výbere prevádzkového režimu prehrávania stláčaním tlačidiel hore/dole vyberte súbor, ktorý chcete prehrať alebo zobrazit'.
- ▶ Stlačením tlačidla spúšte spustíte alebo zobrazíte súbor. Opätovným stlačením tlačidla spúšte pozastavíte prehrávanie videa.
- ▶ Pri prehrávaní alebo zobrazení súborov stlačte tlačidlo nahor/nadol rýchle prehrávanie/pretáčanie vpred.
- ▶ Stlačením tlačidla zapnutia ukončíte prehrávanie videa.

## 7. FUNKCIE KAMERY

<b>Rozlíšenie videa</b>	Výber rozlíšenia videa.
<b>Nahrávanie zvuku</b>	Zachytiť zvukovú stopu videa pomocou integrovaného mikrofónu.
<b>Časozberné nahrávanie videa</b>	Technika, ktorá spočíva v snímaní jednotlivých snímkov v pravidelných intervaloch a ich následnom zrýchlenom prehraní, čím sa zobrazuje dlhodobý dej v krátkom čase.
<b>Nahrávanie v slučke</b>	Umožňuje nepretržitý záznam prepisovaním starých dát.
<b>Spomalené video</b>	Umožňuje prehrávanie spomalených záberov pre detailné sledovanie rýchlych akcií.
<b>Dátový tok videa</b>	Určuje kvalitu a veľkosť videa – vyšší dátový tok znamená lepšiu kvalitu obrazu, ale aj väčšiu veľkosť súboru.
<b>Rozlíšenie fotografií</b>	2Mpx, 5Mpx, 8Mpx, 12Mpx, 16Mpx
<b>Samospúšť</b>	5s, 10s, 20s
<b>Séria fotografií</b>	Umožňuje robiť rýchlo za sebou idúce snímky v krátkych intervaloch, čo je ideálne na zachytenie rýchlych akcií alebo pohybových sekvencií.
<b>Expozícia</b>	Upravuje množstvo svetla, ktoré dopadá na senzor, čím ovplyvňuje svetlosť a tmavosť pořízených snímkov.
<b>Vyváženie bielej</b>	Upravuje farebnú teplotu snímok, aby zodpovedala aktuálnym podmienkam osvetlenia a zabezpečila presnejšiu reprodukciu farieb.
<b>Otáčanie obrazu</b>	Umožňuje otočenie obrazu.
<b>Frekvencia</b>	50Hz, 60Hz
<b>Indikátor LED</b>	Bliká, keď sa nahráva video.
<b>Šetrič obrazovky</b>	10s, 20s, 30s
<b>Automatické vypnutie</b>	1 minúta, 3 minúty, 5 minút, Vypnuté
<b>Čas vo videu</b>	Služí k vloženiu aktuálneho dátumu a času do videa, čo uľahčuje identifikáciu a organizáciu záznamov.
<b>Zvuky systému</b>	Umožňuje používateľom individuálne nastaviť hlasitosť systémových zvukov.
<b>Jazyk</b>	Angličtina, nemčina, čeština, slovenčina, poľština, maďarčina, litovčina
<b>Dátum a čas</b>	Pridáva čas do videa pre ľahkú identifikáciu, synchronizáciu a archiváciu záznamov.
<b>Formát</b>	Obnoví kartu do východiskového stavu.
<b>Továrenské nastavenia</b>	Vracia všetky nastavenia kamery na pôvodné výrobné hodnoty.
<b>Verzia firmvéru</b>	Označuje aktuálnu verziu firmvéru.

## 8. PRIPOJENIE K POČÍTAČI

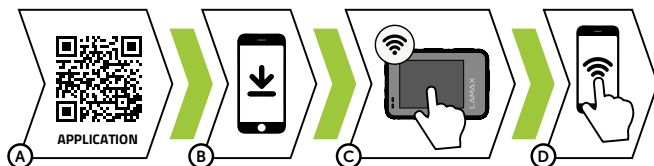
- Pripojte akčnú kameru k počítaču pomocou dodávaného USB kábla.
- Otvorte adresár s pripojeným externým zariadením a v priečinku so uloženými súbormi môžete spravovať uložené súbory.

**Poznámka:** Počas sťahovania súborov neodpojujte akčnú kameru od počítača ani nevyberajte pamäťovú kartu. Hrozí strata dát.

- Ak je akčná kamera pripojená v režime U-disk (režim MSDC), stlačením tlačidla spúšte ju prepnete do režimu webovej kamery (PCCAM), na displeji sa zobrazí: PCCAM.
- Teraz môžete spustiť webovú kameru prostredníctvom aplikácie.
- Pre návrat stlačte krátko tlačidlo spúšte.

**Poznámka:** Ovládač pre režim webovej kamery (režim PCCAM) sa pre systém Windows XP (SP3) alebo vyšší nevyžaduje.

## 9. WI-FI – MOBILNÁ APLIKÁCIA



Vďaka mobilnej aplikácii budete môcť meniť režimy a nastavenia kamery alebo prezerať a sťahovať nakrútené videá a fotografie priamo do vášho mobilného zariadenia.

- Načítajte QR kód pre stiahnutie aplikácie alebo kliknite na nasledujúci odkaz: <https://www.lamax-electronics.com/x32/app/>
- Nainštalujte aplikáciu do vášho mobilného zariadenia.
- Dlhým stlačením tlačidla nahor zapnite Wi-Fi fotoaparátu.
- Na vašom mobilnom zariadení sa pripojte na WiFi sieť s názvom kamery. Heslo na WiFi je zobrazené na displeji kamery (z výroby 1234567890).
- Po úspešnom pripojení otvorte aplikáciu a kliknutím na „Pripojiť kameru“ vstúpte do rozhrania kamery a ovládajte ju.

## 10. VODEODOLNOSŤ

**Odolnosť proti ponoreniu do vody je splnená za týchto podmienok:**

### AKČNÁ KAMERA:

Kamera je vodotesná iba pri vložení do vodotesného puzdra.

### VODOTESNÉ PUZDRO:

Puzdro odolá ponoreniu do hĺbky 40 metrov. Pred použitím kamery v puzdre sa uistite o správnom uzatvorení zadných dvierok puzdra pomocou mechanizmu na hornej strane puzdra. Dvierka a tesnenie puzdra musia byť zbavené všetkých nečistôt, ako je prach, piesok a podobne. Pri použití v slanej vode opláchnite puzdro pitnou vodou. Na osušenie nepoužívajte žiadne textilné látky či externé zdroje tepla (fén, mikrovlnná rúra apod.), puzdro vždy nechajte pozvoľne vyschnúť.

## 11. BEZPEČNOSTNÉ OPATRENIA

**Pred prvým použitím je spotrebiteľ povinný sa zoznámiť so zásadami bezpečného používania výrobku.**

### ZÁSADY A UPOZORNENIA

- Pre zaistenie vlastnej bezpečnosti nepoužívajte ovládacie prvky tohto prístroja pri riadení.
- Pri používaní rekordéra v aute je nutný okenný držiak. Rekordér umiestnite na vhodné miesto tak, aby nebránil vo výhľade vodiča ani v aktivácii bezpečnostných prvkov (napr. airbagov).
- Objektív kamery nesmie byť ničím blokovaný a v blízkosti objektívu sa nesmie nachádzať žiadny reflexný materiál. Uchovávajte objektív čistý.
- Ak je čelné sklo automobilu zafarbené reflexnou vrstvou, môže to obmedzovať kvalitu záznamu.

### BEZPEČNOSTNÉ ZÁSADY

- Nepoužívajte nabíjačku vo vysoko vlhkom prostredí. Nikdy sa nabíjačky nedotýkajte mokrými rukami alebo ak stojíte vo vode.
- Pri napájaní prístroja alebo nabíjaní batérie ponechajte v okolí nabíjačky dostatočný priestor pre cirkuláciu vzduchu. Neprikrývajte nabíjačku papiermi ani inými predmetmi, ktoré by mohli zhoršiť jej chladenie. Nepoužívajte nabíjačku uloženú v transportnom obale.
- Nabíjačku pripojte ku správnejmu zdroju napätia. Údaje o napätí sú uvedené na plášti výrobku alebo na jeho obale.
- Nepoužívajte nabíjačku, ak je zjavne poškodená. V prípade poškodenia zariadenia ju sami neopravujte!
- V prípade nadmerného zahrievania prístroja ho okamžite odpojte od prívodu energie.
- Nabíjajte zariadenie pod dohľadom.
- Balenie obsahuje malé časti, ktoré môžu byť nebezpečné pre deti. Produkt vždy odkladajte mimo dosahu detí. Vrecká alebo časti, ktoré obsahujú, môžu po prehltnutí alebo nasadení na hlavu spôsobiť udusenie.

### BEZPEČNOSTNÉ UPOZORNENIE PRE LI-ION BATÉRIE


- Pred prvým použitím batériu plne nabite.
- Na nabíjanie používajte len nabíjačku, ktorá je pre tento typ batérie určená.
- Používajte štandardné káble pre nabíjanie, inak by mohlo dôjsť k poškodeniu zariadenia.
- V žiadnom prípade nepripájajte k nabíjačke mechanicky poškodené alebo nafúknuté batérie. Batérie v takom stave už vôbec nepoužívajte, hrozí nebezpečenstvo výbuchu.
- Nepoužívajte akokoľvek poškodený sieťový adaptér alebo nabíjačku.
- Nabíjajte v izbovej teplote, nikdy nenabíjajte pri teplote nižšej ako 0 °C alebo pri teplote vyššej ako 40 °C.
- Dajte pozor na pády, batériu neprederavte ani inak nepoškodujte. Poškodenú batériu rozhodne neopravujte.
- Nevystavujte nabíjačku ani batériu pôsobeniu vlhkosti, vody, dažďa, snehu alebo rôznym nástrekom.
- Batériu nenechávajte vo vozidle, nevystavujte slnečnému žiareniu a nedávajte do blízkosti zdroja tepla. Silné svetlo či vysoké teploty môžu batériu poškodiť.
- Počas nabíjania nenechávajte akumulátory nikdy bez dohľadu, skrat alebo náhodné prebitie (akumulátora nevhodného pre rýchlonabíjanie alebo nabíjaného nadmerným prúdom či pri poruche nabíjačky) môže spôsobiť únik agresívnych chemikálií, explóziu alebo požiar!
- V prípade, že pri nabíjaní batérie dochádza k jej nadmernému ohrievaniu, batériu okamžite odpojte.
- Nabíjačku a nabíjaný akumulátor neumiestňujte pri nabíjaní na horľavé predmety alebo do ich blízkosti. Pozor na záclony, koberce, obrusy a podobne.
- Hneď ako je dobíjané zariadenie plne dobité, odpojte ho z dôvodu bezpečnosti.
- Udržujte batériu mimo dosah detí a zvierat.
- Nabíjačku ani batériu nikdy nerozoberajte.
- Ak je batéria integrovaná, nikdy nerozoberajte zariadenie, pokiaľ nie je stanovené inak. Akýkoľvek takýto pokus je riskantný a môže mať za následok poškodenie produktu a stratu záruky.
- Nevyhadzujte opotrebované alebo poškodené batérie do odpadkového koša, ohňa či do vykurovacích zariadení, ale odovzdajte ich v zberniciach nebezpečného odpadu.



## ÚDRŽBA PRÍSTROJA

- Dobrá údržba tohto prístroja zaistí bezproblémový chod a obmedzí nebezpečenstvo poškodenia.
- Uchovávajúce prístroj mimo extrémnu vlhkosť a teploty a nevystavujte prístroj dlhodobu priamemu slnečnému alebo ultrafialovému žiareniu.
- Zabráňte pádu prístroja, nevystavujte ho silným nárazom.
- Nevystavujte prístroj náhlym a prudkým zmenám teplôt. Mohlo by to spôsobiť kondenzovanie vlhkosti vnútri zariadenia, čo by mohlo prístroj poškodiť. V prípade, kedy dôjde ku kondenzácii vlhkosti, nechajte prístroj pred ďalším používaním dokonale vyschnúť.
- Zásadne nečistite prístroj, keď je zapnutý. K čisteniu prístroja používajte mäkkú handričku.
- Zásadne sa nepokúšajte prístroj rozobrať, opravovať alebo akokoľvek upravovať. V prípade demontáže, úprav alebo akéhokoľvek pokusu o opravu dochádza ku prepadnutiu záruky a môže dôjsť ku poškodeniu prístroja alebo dokonca ku zraneniu alebo škodám na majetku.
- Neskladujte ani neprevádzajte horľavé kvapaliny, plyny alebo výbušné materiály spolu s prístrojom, jeho časťami alebo doplnkami.
- Aby sa zabránilo krádeži, nenechávajte prístroj a príslušenstvo na viditeľnom mieste vo vozidle bez dozoru.
- Prehriatie môže prístroj poškodiť.
- Pri styku so silne chlóravanou alebo morskou vodou kameru a všetky použité príslušenstvo, opláchnite v pitnej vode a osušte ju.
- Na vysušenie kamery nepoužívajte externý zdroj tepla ako napríklad mikrovlnka alebo sušiaci na vlasy.
- Pred plávaním alebo potápaním vždy skontrolujte či nie sú pootvorené dvierka batérie alebo dvierka k napájacím portom. Ak áno zatvorte ich, inak kamera nebude vykazovať vodotesnosť.
- Displej utierajte len utierkou ktorá je k tomu určená a vyhnite sa tak jeho poškrabaniu.

## ĎALŠIE INFORMÁCIE

1) Pre domácnosti: Uvedený symbol () na výrobku alebo v sprievodnej dokumentácii znamená, že použité elektrické alebo elektronické výrobky nesmú byť likvidované spoločne s komunálnym odpadom. Za účelom správnej likvidácie výrobku ho odovzdajte na určených zberných miestach, kde budú prijaté zdarma. Správnu likvidáciu tohto produktu pomôžete zachovať cenné prírodné zdroje a napomáhate prevencii potenciálnych negatívnych dopadov na životné prostredie a ľudské zdravie, čo by mohli byť dôsledky nesprávnej likvidácie odpadov. Ďalšie podrobnosti si vyžiadajte od miestneho úradu alebo najbližšieho zberného miesta. Pri nesprávnej likvidácii tohto druhu odpadu môžu byť v súlade s národnými predpismi udelené pokuty. Informácie pre užívateľov k likvidácii elektrických elektronických zariadenia (firemné o podnikové použitie): Pre správnu likvidáciu elektrických a elektronických zariadení si vyžiadajte podrobné informácie u vášho predajcu alebo dodávateľa. Informácie pre užívateľov k likvidácii elektrických a elektronických zariadení v ostatných krajinách mimo Európskej únie: Vyššie uvedený symbol (preškrtnutý kôš) je platný len v krajinách Európskej únie. Pre správnu likvidáciu elektrických a elektronických zariadení si vyžiadajte podrobné informácie u vašich úradov alebo u predajca zariadenia. Všetko vyjadruje symbol preškrtnutého kontajnera na výrobku, obalu alebo tlačenej materiáloch.

2) Záručné opravy zariadenia uplatňujte u svojho predajcu. V prípade technických problémov a otázok kontaktujte svojho predajcu, ktorý Vás bude informovať o ďalšom postupe. Dodržujte pravidlá pre prácu s elektrickými zariadeniami. Užívateľ nie je oprávnený rozobrať zariadenie ani vymieňať žiadnu jeho súčasť. Otváranie alebo odstránenie krytov hrozí riziko úrazov elektrickým prúdom. Pri nesprávnom zostavení zariadenie jeho opätovnom zapojení sa tiež vystavujete riziku úrazov elektrickým prúdom.

Záručná lehota na produkty je 24 mesiacov, pokiaľ nie je stanovená inak. Záruka sa nevzťahuje na poškodenie spôsobené neštandardným používaním, mechanickým poškodením, vystavením agresívnym podmienkam, zachádzaním v rozpore s manuálom a bežným opotrebením. Záručná doba na batériu je 24 mesiacov, na jej kapacitu 6 mesiacov. Viac informácií o záruke nájdete na [www.elem6.com/warranty](http://www.elem6.com/warranty)

Výrobca, dovozca ani distribútor nenesú žiadnu zodpovednosť za akékoľvek škody spôsobené montážou alebo nesprávnym užívaním produktu.

## EU PREHLÁSENIE O ZHODE

Spoločnosť elem6 s.r.o. týmto prehlasuje, že LAMAX X3.2 je v zhode so základnými požiadavkami a príslušnými ustanoveniami smernice 2014/30/EU, 2014/53/EU a RoHS 2011/65/EU Annex II 2015/863. Produkty LAMAX sú určené pre predaj bez obmedzenia v Nemecku, Českej republike, Slovensku, Poľsku, Maďarsku a v ďalších členských krajinách EÚ. Prehlásenie o zhode je možné stiahnuť z webu <https://www.lamax-electronics.com/support/doc/>

- Frekvenčné pásmo, v ktorom rádiové zariadenie pracuje: 2,41–2,475 GHz
- Maximálny rádiový výkon vysielaný vo frekvenčnom pásme, v ktorom je rádiové zariadenie používané: 6 dBi

### VÝROBCA:

elem6 s.r.o., Braškovská 308/158, 161 00 Praha 6  
[www.lamax-electronics.com](http://www.lamax-electronics.com)



**Tlačové chyby a zmeny v manuáli sú vyhradené.**

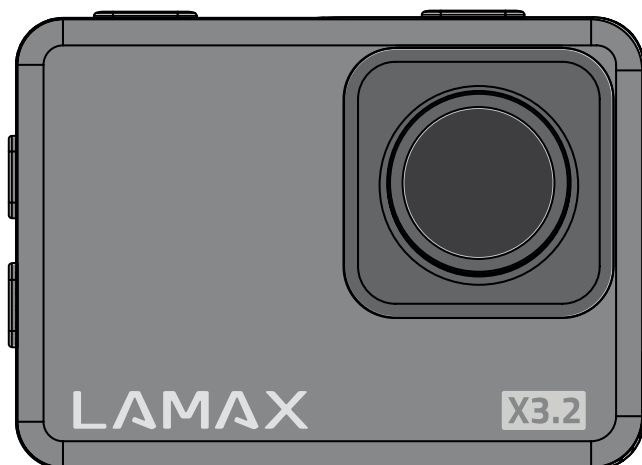
# LAMAX

ELECTRONICS

---

# LAMAX X3.2

ACTION CAMERA



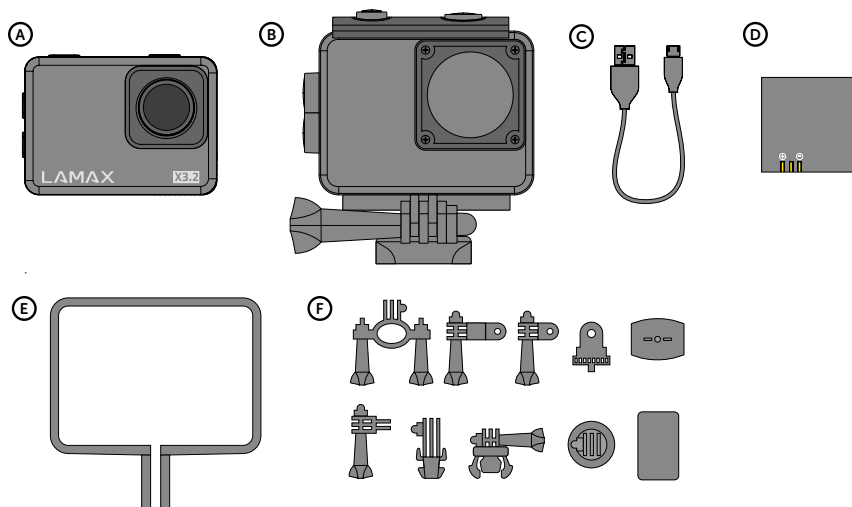
---

PL – Instrukcja obsługi

## SPIS TREŚCI

1. ZAWARTOŚĆ OPAKOWANIA .....	2
2. ZAPOZNANIE Z KAMERĄ .....	3
3. PRZEGLĄD STEROWANIA KAMEREM .....	4
4. ŁADOWANIE .....	4
5. WKŁADANIE KARTY PAMIĘCI .....	4
6. STEROWANIE KAMEREM .....	4
7. FUNKCJE KAMERY .....	6
8. PODŁĄCZENIE DO KOMPUTERA .....	7
9. WI-FI – APLIKACJA MOBILNA .....	7
10. WODOODPORNY .....	7
11. ŚRODKI BEZPIECZEŃSTWA .....	8

## 1. ZAWARTOŚĆ OPAKOWANIA



(A) Kamera akcji Lamax X3.2

(B) Opakowanie wodoodporne do 40 m

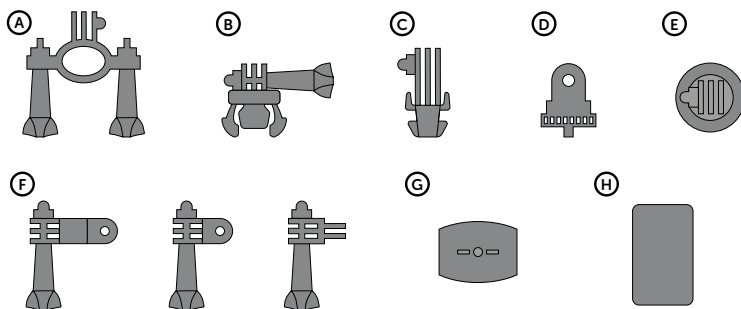
(C) Kabel USB do ładowania/przesyłania plików

(D) Bateria litowo-jonowa

(E) Rama

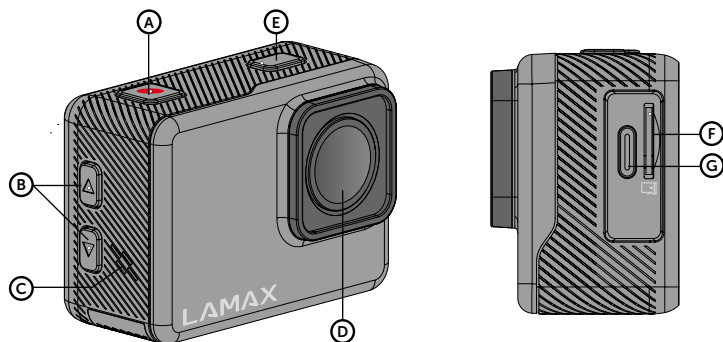
(F) Uchwyty

## UCHWYTY



- A** Uchwyt na kijek – do mocowania np. do kierownicy
- B** Fast plug-in – szybkie wpinanie uchwytu
- C** J mount – do szybkiego wpięcia z podwyższeniem
- D** Redukcja do statywu – do podłączenia kamery bez etui na akcesoria
- E** Adapter na statyw – do podłączenia kamery w etui do statywu
- F** 3-axis connector (3 części) – do zamocowania w dowolnym kierunku
- G** Samoprzylepny uchwyt – do mocowania na gładkich powierzchniach (kask, maska)
- H** Wymienny podkład 3M – do ponownego zamocowania samoprzylepnego uchwytu

## 2. ZAPOZNANIE Z KAMERĄ



- A** Spust
- B** Przyciski góra/dół
- C** Dźwięk klawiszy
- D** Obiektyw
- E** Przycisk włączania/wyboru trybu pracy
- F** Gniazdo karty pamięci
- G** Port USB-C

**Uwaga:** Używaj wyłącznie zalecanych akcesoriów, w przeciwnym razie aparat może ulec uszkodzeniu.

### 3. PRZEGLĄD STEROWANIA KAMEREM

<b>Włączanie i wyłączanie</b>	Naciśnij i przytrzymaj przycisk zasilania przez 3 sekundy.
<b>Automatyczne wyłączenie</b>	Aparat wyłącza się po 3 minutach bezczynności.
<b>Rozpocznij/zatrzymaj nagrywanie</b>	Naciśnij spust migawki, aby rozpocząć nagrywanie, naciśnij ponownie przycisk migawki, aby zatrzymać nagrywanie.
<b>Przełączanie trybów</b>	Naciśnij krótko przycisk wyboru trybu pracy.
<b>Wejście do menu</b>	Naciśnij i przytrzymaj przycisk wyboru trybu pracy.
<b>Poruszanie się po menu</b>	naciśnij przyciski góra/dół.
<b>Wejść do wybranej pozycji menu</b>	Naciśnij krótko spust migawki.
<b>Włącz Wi-Fi</b>	Naciśnij i przytrzymaj przycisk w górę.

### 4. ŁADOWANIE

- Przed pierwszym użyciem kamerę sportową należy całkowicie naładować.
- Kamerę sportową można ładować podłączając ją do komputera lub odpowiedniego adaptera sieciowego (brak w zestawie) za pomocą dostarczonego kabla USB. Ładowanie rozpocznie się automatycznie i zaświeci się wskaźnik ładowania. Gdy tylko zgaśnie, kamera sportowa jest w pełni naładowana.
- Czas ładowania trwa około 4 godzin.
- Gdy na wyświetlaczu zaświeci się ikona niskiego poziomu naładowania akumulatora (🔋), aparat automatycznie się wyłącza i należy go naładować.

**Uwaga:** Jeśli trwa nagrywanie, ładowanie aparatu nie będzie możliwe, dopóki nie zatrzymasz nagrywania.

### 5. WKŁADANIE KARTY PAMIĘCI

- Włóż kartę pamięci do gniazda tak, aby styki były skierowane w tę samą stronę, co pokazano na rysunku obok gniazda. W przeciwnym razie kamera akcji nie będzie w stanie zidentyfikować.
- Kartę wkładaj tylko wtedy, gdy kamera sportowa jest wyłączona i nie jest podłączona do komputera.
- Przed pierwszym użyciem sformatuj kartę bezpośrednio w aparacie.
- Zalecamy używanie kart pamięci o większej prędkości zapisu, szczególnie jeśli chcesz nagrywać filmy w rozdzielczości 4K, Full HD lub HD.

**Uwaga:** Używaj wyłącznie kart pamięci renomowanych producentów. Karty niemarkowych producentów nie gwarantują prawidłowego działania magazynu danych.

- Jeśli chcesz wyjąć kartę pamięci, delikatnie popchnij ją palcem w stronę aparatu, aby zwolnić ją z gniazda i łatwiej będzie ją wyjąć.

**Ostrzeżenie:** Nigdy nie wyjmuj karty pamięci z kamery sportowej na siłę. Istnieje ryzyko uszkodzenia kamery sportowej i karty pamięci.

### 6. STEROWANIE KAMEREM

#### WŁĄCZ KAMERĘ AKCJI

- Naciśnij i przytrzymaj przycisk zasilania przez 3 sekundy. Pojawi się ekran powitalny i aparat włączy się w trybie wideo.

#### WYŁĄCZ KAMERĘ AKCJI

- Naciśnij i przytrzymaj przycisk zasilania przez 3 sekundy, gdy aparat znajduje się w trybie bezczynności (nie nagrywa, nie odtwarza itp.), a aparat się wyłączy.

## AUTOMATYCZNE WYŁĄCZANIE

- Kamera sportowa wyłączy się automatycznie po 3 minutach bezczynności w trybie uśpienia.

## WYŁĄCZENIE PRZY NISKIM POZIOMIE NAŁADOWANIA AKUMULATORA

- Gdy poziom naładowania akumulatora będzie zbyt niski, na wyświetlaczu zaświeci się ikona niskiego poziomu naładowania akumulatora (🔋) a aparat się wyłączy.

## WYBÓR TRYBU PRACY

Kamera wyposażona jest w cztery tryby pracy:

- Tryb wideo: do nagrywania;
- Tryb zdjęć: do robienia zdjęć;
- Tryb ruchu: specjalny tryb do nagrywania w ruchu;
- Tryb odtwarzania: odtwarzanie bieżącego filmu/zdjęcia z karty pamięci.

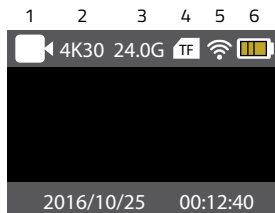
Po przełączeniu pomiędzy poszczególnymi trybami należy krótko nacisnąć przycisk wyboru trybu pracy. Ikona odpowiedniego trybu pojawi się na górnym pasku wyświetlacza:

- Tryb wideo: 🎥
- Tryb fotograficzny: 📷
- Tryb ruchu: 🏃
- Tryb odtwarzania: ▶

### TRYB WIDEO

Ekran kamery sportowej w trybie wideo:

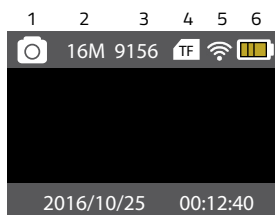
1. Ikona trybu wideo
2. Rozdzielczość i fps (liczba klatek na sekundę)
3. Pozostała wolna przestrzeń na karcie pamięci
4. Ikona włożonej karty pamięci
5. Ikona Wi-Fi
6. Ikona stanu naładowania baterii
7. Czasowy znak wodny



### TRYB FOTOGRAFICZNY

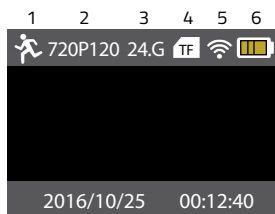
Ekran kamery akcji w trybie zdjęć:

1. Ikona trybu fotograficznego
2. Rozdzielczość
3. Pozostała wolna przestrzeń na karcie pamięci
4. Ikona włożonej karty pamięci
5. Ikona Wi-Fi
6. Ikona stanu naładowania baterii
7. Czasowy znak wodny



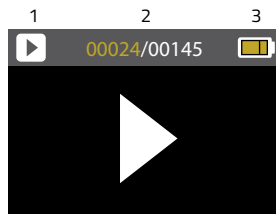
### TRYB RUCHU

1. Ikona trybu ruchu
2. Rozdzielczość i fps (liczba klatek na sekundę)
3. Pozostała wolna przestrzeń na karcie pamięci
4. Ikona włożonej karty pamięci
5. Ikona Wi-Fi
6. Ikona stanu naładowania baterii
7. Czasowy znak wodny



## TRYB ODTWARZANIA

1. Ikona trybu odtwarzania
2. Numer bieżącego pliku/całkowita liczba plików
3. Ikona stanu naładowania baterii



- › Po wybraniu trybu odtwarzania naciśnij przyciski góra/dół, aby wybrać plik, który chcesz odtworzyć lub wyświetlić.
- › Naciśnij przycisk wywalający, aby rozpocząć lub przeglądać plik. Naciśnij ponownie spust migawki, aby wstrzymać odtwarzanie wideo.
- › Podczas odtwarzania lub przeglądania plików naciśnij przycisk szybkiego odtwarzania w górę/w dół/do przodu.
- › Naciśnij przycisk zasilania, aby zakończyć odtwarzanie wideo.

## 7. FUNKCJE KAMERY

<b>Rozdzielczość wideo</b>	Wybór rozdzielczości wideo.
<b>Nagrywanie dźwięku</b>	Zarejestruje ścieżkę dźwiękową wideo za pomocą wbudowanego mikrofonu.
<b>Nagrywanie wideo poklatkowego</b>	Technika polegająca na rejestrowaniu pojedynczych klatek w regularnych odstępach czasu i ich przyspieszonym odtwarzaniu, co pokazuje długotrwałe zdarzenie w krótkim czasie.
<b>Nagrywanie w pętli</b>	Umożliwia ciągłe nagrywanie przez nadpisywanie starych danych.
<b>Zwolnione tempo</b>	Umożliwia odtwarzanie zwolnionych nagrań w celu szczegółowego śledzenia szybkich działań.
<b>Szybkość transmisji wideo</b>	Określa jakość i rozmiar wideo – wyższy przepływ danych oznacza lepszą jakość obrazu, ale także większy rozmiar pliku.
<b>Rozdzielczość zdjęć</b>	2Mpx, 5Mpx, 8Mpx, 12Mpx, 16Mpx
<b>Czas</b>	5s, 10s, 20s
<b>Dramatyczne ujęcie</b>	Umożliwia robienie szybko następujących po sobie zdjęć w krótkich odstępach czasu, co jest idealne do uchwycenia szybkich akcji lub sekwencji ruchu.
<b>Ekspozycja</b>	Reguluje ilość światła padającego na czujnik, co wpływa na jasność i ciemność zrobionych zdjęć.
<b>Balans bieli</b>	Reguluje temperaturę barwową obrazów, aby odpowiadała aktualnym warunkom oświetleniowym i zapewniła bardziej precyzyjną reprodukcję kolorów.
<b>Obracanie obraz</b>	Pozwala na obrócenie obrazu.
<b>Częstotliwość źródła światła</b>	50Hz, 60Hz
<b>Wskaźnik LED</b>	Mruga, gdy nagrywane jest wideo.
<b>Wygaszacz ekranu</b>	10s, 20s, 30s
<b>Automatyczne wyłączenie</b>	1 minuta, 3 minuty, 5 minut, Wyłączone
<b>Czasowy znak wodny</b>	Służy do wstawiania aktualnej daty i godziny do wideo, ułatwiając identyfikację i organizację nagrań.
<b>Dźwięk klawiszy</b>	Pozwala użytkownikom indywidualnie regulować głośność dźwięków systemowych.
<b>Język</b>	Angielski, niemiecki, czeski, słowacki, polski, węgierski, litewski



<b>Data i godzina</b>	Dodaje znacznik czasu do filmów, aby ułatwić identyfikację, synchronizację i archiwizację nagrań.
<b>Format</b>	Przywraca kartę do stanu domyślnego.
<b>Factory settings</b>	Przywraca wszystkie ustawienia kamery do wartości fabrycznych.
<b>Wersja oprogramowania sprzętowego</b>	Wskazuje aktualną wersję oprogramowania.

## 8. PODŁĄCZENIE DO KOMPUTERA

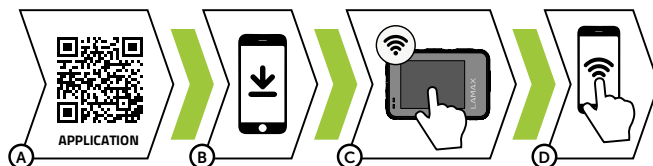
- Podłącz kamerę sportową do komputera za pomocą dostarczonego kabla USB.
- Otwórz katalog z podłączonym urządzeniem zewnętrznym i możesz zarządzać zapisanymi plikami w folderze zapisanych plików.

**Uwaga:** Nie odłączaj kamery sportowej od komputera ani nie wyjmuj karty pamięci podczas pobierania plików. Ryzyko utraty danych.

- Jeśli kamera sportowa jest podłączona w trybie U-disk (tryb MSDC), naciśnij spust migawki, aby przełączyć ją w tryb kamery internetowej (PCCAM), na wyświetlaczu pojawi się: PCCAM.
- Teraz możesz uruchomić kamerę internetową za pośrednictwem aplikacji.
- Aby wrócić, naciśnij krótko spust migawki.

**Uwaga:** Do trybu kamery internetowej (tryb PCCAM) w systemie Windows XP (SP3) lub nowszym nie jest wymagany żaden sterownik.

## 9. WI-FI – APLIKACJA MOBILNA



Dzięki aplikacji mobilnej będziesz mógł zmieniać tryby i ustawienia kamery czy przeglądać i pobierać nagrane filmy i zdjęcia bezpośrednio na swoje urządzenie mobilne.

- Zeskanuj kod QR, aby pobrać aplikację lub kliknij poniższy link:  
<https://www.lamax-electronics.com/x32/app/>
- Zainstaluj aplikację na swoim urządzeniu mobilnym.
- Włącz Wi-Fi w aparacie, naciskając długo przycisk w górę.
- Na swoim urządzeniu mobilnym połącz się z siecią Wi-Fi z nazwą kamery. Hasło WiFi jest wyświetlane na wyświetlaczu kamery (fabrycznie 1234567890).
- Po udanym połączeniu otwórz aplikację i kliknij „Podłącz kamerę”, aby wejść do interfejsu kamery i sterować nią.

## 10. WODOODPORNY

**Odporność na zanurzenie w wodzie jest spełniona w następujących warunkach:**

### KAMERA AKCJI:

Kamera jest wodoszczelna tylko po umieszczeniu w wodoszczelnej obudowie.

### WODOSZCZELNA OBUDOWA:

Obudowa wytrzymałe zanurzenie na głębokość do 40 metrów. Przed użyciem aparatu w etui należy upewnić się, że tylne drzwiczki obudowy są prawidłowo zamknięte za pomocą mechanizmu znajdującego się na górze

obudowy. Drzwi obudowy i uszczelka muszą być wolne od wszelkich zanieczyszczeń, takich jak kurz, piasek itp. W przypadku używania w stoney wodzie obudowę należy przepłukać wodą pitną. Nie używaj żadnych materiałów tekstylnych ani zewnętrznych źródeł ciepła (suszarka do włosów, kuchenka mikrofalowa itp.) do suszenia, zawsze pozwól etui wyschnąć powoli.

## 11. ŚRODKI BEZPIECZEŃSTWA

**Przed pierwszym użyciem, użytkownik zobowiązany jest do zapoznania się z zasadami bezpiecznego korzystania z produktu.**

### ŚRODKI OSTROŻNOŚCI I UWAGI

- Dla własnego bezpieczeństwa nie zmieniaj ustawień kamery podczas prowadzenia pojazdu.
- Do używania kamery w samochodzie musisz posiadać mocowanie na szybę. Kamerę zamocuj w takim miejscu, aby nie zasłaniała widoku kierowcy ani nie stanowiła przeszkody dla ewentualnego otwarcia poduszek powietrznych.
- Żaden przedmiot nie powinien blokować obiektywu kamery, a w jego pobliżu nie powinny znajdować się materiały odbijające światło. Utrzymuj obiektyw w czystości.
- Przyciemniana przednia szyba samochodu może wpływać na jakość nagrywania.

### ŚRODKI OSTROŻNOŚCI DOTYCZĄCE BEZPIECZEŃSTWA

- Nie używaj ładowarki w miejscach o dużej wilgotności. Nie dotykaj ładowarki mokrymi rękami lub kiedy stoisz w wodzie.
- Jeśli używasz ładowarki do zasilania urządzenia lub ładowania baterii, zapewnij odpowiednią wentylację jego otoczenia. Nie przykrywaj ładowarki papierem ani innymi przedmiotami, aby nie ograniczać jego chłodzenia. Nie używaj ładowarki, gdy znajduje się ona w torbie do przenoszenia.
- Ładowarkę podłączaj jedynie do odpowiedniego źródła zasilania. Wymagania dotyczące napięcia znajdują się na obudowie i/lub opakowaniu produktu.
- Nie używaj ładowarki z uszkodzonym przewodem. W przypadku uszkodzenia nie podejmuj się jej samodzielnej naprawy!
- W razie nadmiernego nagrzewania urządzenia, natychmiast odłącz je od zasilania energii.
- Urządzenie należy ładować pod nadzorem.
- Opakowanie zawiera małe elementy, które mogą być niebezpieczne dla dzieci. Zawsze przechowuj produkt w miejscu niedostępnym dla dzieci. Torebki, jak i liczne drobne elementy, które się w nich znajdują, mogą spowodować zadławienie w przypadku ich połknięcia.

### ŚRODKI OSTROŻNOŚCI W UŻYTKOWANIU LI-ION BATERII


- Przed pierwszym użytkowaniem w pełni naładuj baterię.
- W celu ładowania korzystaj wyłącznie z ładowarki, która jest przeznaczona do danego typu baterii.
- Wykorzystuj standardowe kable do zasilania. W innym przypadku urządzenie mogłoby ulec uszkodzeniu.
- W żadnym razie nie podłączaj do ładowarki baterii, która została mechanicznie uszkodzona lub posiada zniekształconą (wypukłą) powierzchnię. Baterii w takim stanie nie należy już w ogóle wykorzystywać, ponieważ zagraża niebezpieczeństwem wybuchu.
- Nie korzystaj z jakiegokolwiek uszkodzonego adaptera sieciowego lub ładowarki.
- Ładowanie powinno przebiegać w temperaturze pokojowej. Nigdy nie ładuj przy temperaturze niższej niż 0°C lub wyższej niż 40°C.
- Chroń baterię przed upadkiem, nie przekłuwaj jej ani nie doprowadzaj do jej uszkodzenia w żaden inny sposób. Nie próbuj samodzielnie naprawiać uszkodzonej baterii.
- Nie narażaj ładowarki ani baterii na oddziaływanie wilgoci, wody, deszczu, śniegu czy też innych opadów.
- Nie pozostawiaj baterii w samochodzie, nie wystawiaj jej na światło słoneczne ani nie umieszczaj jej w pobliżu źródeł ciepła. Silne światło czy też wysokie temperatury mogą uszkodzić baterię.
- Podczas ładowania nigdy nie pozostawiaj akumulatorów bez nadzoru. Zwarcie lub nadmierne naładowanie (akumulatora nieodpowiedniego do szybkiego ładowania, ładowanego prądem o nadmiernym nasileniu

- lub podczas awarii ładowarki) może spowodować wyciek agresywnych substancji chemicznych, eksplozję, a w konsekwencji pożar!
- W sytuacji, kiedy podczas ładowania baterii dojdzie do jej nadmiernego ogrzewania, natychmiast odłącz baterię.
  - Ładowarka oraz zasilany akumulator nie umieszczaj podczas ładowania na lub w okolicy przedmiotów łatwopalnych. Uwaga na zastony, dywany, obrusy itd.
  - Jak tylko urządzenie jest w pełni naładowane, odłącz je ze względów bezpieczeństwa.
  - Przechowuj baterię poza zasięgiem dzieci i zwierząt.
  - Nigdy nie próbuj rozebrać ładowarki ani baterii.
  - Jeżeli bateria jest wbudowana, nigdy nie próbuj rozebrać urządzenia, o ile nie zostało ustanowione inaczej. Jakakolwiek próba tego rodzaju wiąże się z ryzykiem uszkodzenia produktu, a w konsekwencji również utratą gwarancji.
  - Nie wyrzucaj zużytych lub uszkodzonych baterii do kosza, ognia czy urządzeń grzewczych, ale przekaż ją do punktów zbioru niebezpiecznych odpadów.

### KONSERWACJA URZĄDZENIA

- Konserwacja urządzenia zapewni bezproblemowe działanie i zmniejszy niebezpieczeństwo uszkodzenia.
- Chroń urządzenie przed nadmierną wilgocią i ekstremalnymi temperaturami oraz unikaj zbyt długiego wystawiania go na działanie bezpośredniego światła słonecznego lub silnego światła ultrafioletowego.
- Chroń urządzenie przed upuszczeniem lub narażeniem na silne uderzenia.
- Nie wystawiaj urządzenia na działanie nagłych i dużych zmian temperatury. Mogłoby to spowodować nagromadzenie wilgoci wewnątrz urządzenia, a w rezultacie jego uszkodzenie. W przypadku nagromadzenia wilgoci, zaczekaj do całkowitego wyschnięcia urządzenia przed jego użyciem.
- Powierzchnię ekranu łatwo zarysować. Nie dopuszczaj do kontaktu powierzchni ekranu z ostrymi przedmiotami.
- Nigdy nie czyść urządzenia, kiedy jest uruchomione. Do wycierania ekranu i zewnętrznych części urządzenia używaj miękkiej, niepozostawiającej włókien szmatki. Do czyszczenia ekranu nie używaj ręczników papierowych.
- Nie podejmuj prób demontażu, naprawy ani modyfikacji urządzenia. Demontaż, modyfikacje lub próba naprawy mogą spowodować uszkodzenie urządzenia i utratę gwarancji, a nawet obrażenia ciała oraz uszkodzenie własności.
- Nie przechowuj ani nie przenoś łatwopalnych cieczy, gazów lub materiałów wybuchowych w miejscu przechowywania urządzenia, jego części lub akcesoriów.
- Aby nie stwarzać okazji do kradzieży, nie zostawiaj urządzenia ani akcesoriów na widoku w pojeździe pozabawionym nadzoru.
- Przegrzanie może spowodować uszkodzenie urządzenia.
- W przypadku kontaktu z silnie chlorowaną lub morską wodą opłukać kamerę oraz wszystkie używane akcesoria, wodą pitną i wysuszyć.
- Do suszenia kamery nie stosować zewnętrznego źródła ciepła, takiego jak kuchenka mikrofalowa lub suszarka do włosów.
- Przed pływaniem lub nurkowaniem zawsze upewnić się, czy nie jest otwarta pokrywa baterii lub pokrywa portów zasilania. Jeżeli tak, zamknąć je. W przeciwnym razie kamera nie będzie wodoszczelna.
- Wyświetlacz należy przecierać wyłącznie ściereczką przeznaczoną do tego celu, aby uniknąć jego zarysowania.

### POZOSTAŁE INFORMACJE

1) Symbol przekreślonego kontenera () zamieszczony na produkcie lub w dokumentacji towarzyszącej oznacza, że po zakończeniu eksploatacji nie należy pozbywać się urządzenia elektrycznego lub elektronicznego wraz z odpadami komunalnymi. Produkt należy dostarczyć do odpowiedniego punktu zbiórki urządzeń elektrycznych i elektronicznych przeznaczonych do recyklingu w celu jego właściwej utylizacji. W miejscu zbiórki produkt zostanie przyjęty bezpłatnie. Dzięki prawidłowej utylizacji tego produktu pomagasz zachować cenne zasoby naturalne oraz przeciwdziałasz potencjalnemu negatywnemu wpływowi na środowisko oraz ludzkie zdrowie, co

może być skutkiem niewłaściwej utylizacji odpadów. Aby uzyskać więcej informacji, prosimy o kontakt z lokalnymi władzami lub w najbliższym punkcie zbiórki. Pozbywanie się odpadów tego rodzaju w nieprawidłowy sposób jest zagrożone karą przewidzianą w odpowiednich przepisach państwowych. Informacja dla użytkowników, dotycząca utylizacji sprzętu elektrycznego i elektronicznego (w przypadku zastosowania w przedsiębiorstwach i firmach): Szczegółowe informacje na temat prawidłowej utylizacji sprzętu elektrycznego i elektronicznego, możesz uzyskać u swojego sprzedawcy lub dostawcy. Informacja dla użytkowników dotycząca utylizacji sprzętu elektrycznego i elektronicznego w państwach spoza Unii Europejskiej: Powyższy symbol (przekreślonego kontenera) obowiązuje wyłącznie w Unii Europejskiej. Szczegółowe informacje na temat prawidłowej utylizacji sprzętu elektrycznego i elektronicznego możesz uzyskać w swoim urzędzie lub u sprzedawcy urządzenia. Wszystkie zostało określone za pomocą symbolu przekreślonego kontenera na produkcie, opakowaniu lub w dokumentacji towarzyszącej.

2) Roszczenia gwarancyjne dotyczące urządzeń składaj w miejscu zakupu. W przypadku problemów technicznych lub pytań, skontaktuj się ze sprzedawcą, który poinformuje cię o dalszym postępowaniu. Należy dotrzymywać zasady pracy z urządzeniami elektrycznymi, a zasilający przewód elektryczny podłączać tylko do odpowiednich gniazdek elektrycznych. Użytkownik nie jest upoważniony do demontowania urządzenia ani wymiany jakiegokolwiek jego części. Przy otwarciu lub usunięciu osłon grozi niebezpieczeństwo porażenia prądem elektrycznym. Niewłaściwy montaż urządzenia i jego ponowne połączenie może również spowodować porażenie prądem elektrycznym.

Okres gwarancji na produkty wynosi 24 miesiące, o ile nie ustalono inaczej. Gwarancja nie obejmuje uszkodzeń spowodowanych niestandardowym użytkowaniem, uszkodzeń mechanicznych, narażenia na działanie agresywnych warunków, obchodzenia się niezgodnie z instrukcją oraz normalnego zużycia. Okres gwarancji na akumulator wynosi 24 miesiące, na jego pojemność 6 miesięcy. Więcej informacji na temat gwarancji można znaleźć na stronie [www.elem6.com/warranty](http://www.elem6.com/warranty)

Producent, importer lub dystrybutor nie ponosi odpowiedzialności za jakiegokolwiek szkody spowodowane montażem lub niewłaściwym użytkowaniem produktu.

## EU DEKLARACJA ZGODNOŚCI

Firma elem6 s.r.o. niniejszym deklaruje, że LAMAX X3.2 są zgodnie z podstawowymi wymogami i innymi odpowiednimi przepisami dyrektywy 2014/30/UE, 2014/53/UE i RoHS 2011/65/UE Załącznik II 2015/863. Produkty LAMAX są przeznaczone do sprzedaży bez ograniczenia w Niemczech, Czechach, na Słowacji, w Polsce, na Węgrzech i innych krajach członkowskich UE. Deklarację zgodności można pobrać z internetu <https://www.lamax-electronics.com/support/doc/>

- ▶ Pasmo częstotliwości w którym urządzenie pracuje: 2.41–2.475 GHz
- ▶ Maksymalny poziom mocy wysyłany w paśmie częstotliwości, w którym radiowe urządzenie działa: 6 dBi

## PRODUCENT:

elem6 s.r.o., Braškovská 308/158, 161 00 Praha 6  
[www.lamax-electronics.com](http://www.lamax-electronics.com)



**Błędy w druku oraz zmiany w instrukcji obsługi zastrzeżone.**

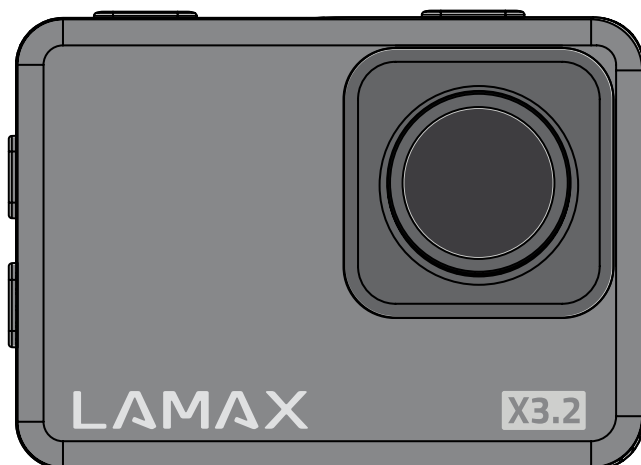
# LAMAX

E L E C T R O N I C S

---

# LAMAX X3.2

ACTION CAMERA

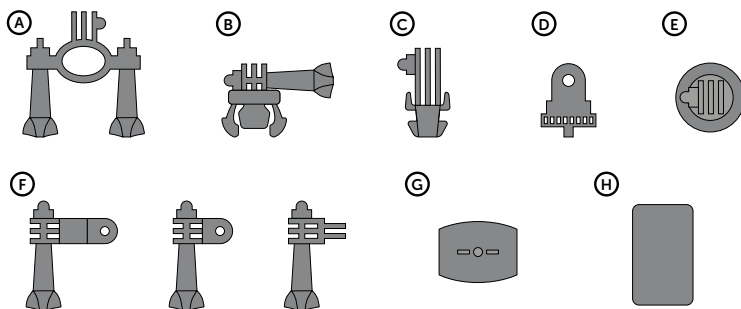


---

HU – Felhasználói kézikönyv

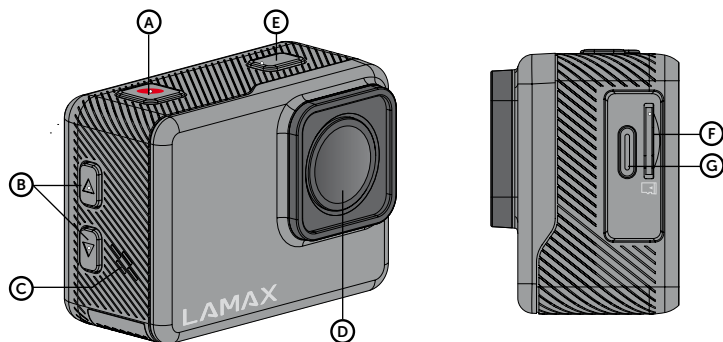


## TARTÓKÉSZÜLÉK



- A** Tartó rúdra – például a kormányra rögzítéshez
- B** Fast plug-in – gyors bepattintáshoz
- C** J mount – a gyors bepattintás érdekében, emeléssel együtt
- D** Állványszűkítő adapter – tok nélküli kamera tartozékra csatlakoztatásához
- E** Állványadapter – tokban lévő kamera állványra csatlakoztatásához
- F** 3 tengelyes csatlakozó (3 rész) – tetszőleges irányú felszereléshez
- G** Öntapadó tartó – sima felületre való rögzítéshez (sisak, motorháztető)
- H** Csere 3M alátét – az öntapadó tartó újraragasztásához

## 2. A KAMERA MEGISMERÉSE



- A** Zárógomb
- B** Fel/le gombok
- C** Hangjelzés
- D** Objektív
- E** Bekapcsolás/Mód gomb
- F** Memóriakártya-nyílás
- G** USB-C port

**Megjegyzés:** Csak ajánlott tartozékokat használjon, különben a fényképezőgép megsérülhet.

### 3. KAMERA VEZÉRLŐK

<b>Be- és kikapcsolás</b>	Nyomja meg és tartsa lenyomva a bekapcsológombot 3 másodpercig.
<b>Automatikus kikapcsolás</b>	A fényképezőgép 3 perc inaktivitás után kikapcsol.
<b>Felvétel indítása/leállítása</b>	Nyomja meg az exponálógombot a felvétel indításához, nyomja meg újra az exponálógombot a felvétel befejezéséhez.
<b>Üzem módok váltása</b>	Nyomja meg röviden a Mode gombot.
<b>Belépés a menübe</b>	Nyomja meg és tartsa lenyomva a módválasztó gombot.
<b>Mozgás a menüben</b>	Nyomja meg a fel/le gombokat.
<b>Belépés a kiválasztott menüpontba</b>	Nyomja meg röviden az exponálógombot.
<b>A Wi-Fi bekapcsolása</b>	Nyomja meg és tartsa lenyomva a fel gombot.

### 4. FELTÖLTÉS

- Az akciókamerát az első használat előtt teljesen fel kell tölteni.
- Az akciókamerát a mellékelt USB-kábel segítségével számítógéphez vagy megfelelő hálózati adapterhez (nem tartozék) csatlakoztatva töltheti fel. A töltés automatikusan elindul, és a töltésjelző lámpa világítani fog. Amint a fény kialszik, az akciókamera teljesen feltöltődött.
- A töltési idő körülbelül 4 órát vesz igénybe.
- Amikor a kijelzőn kigyullad az alacsony akkumulátor töltöttségi szint ikon (🔋) a kamera automatikusan kikapcsol, és töltésre szorul.

**Megjegyzés:** Ha a felvétel folyamatban van, a kamera nem tölthető fel, amíg le nem állítja a felvételt.

### 5. HELYEZZE BE A MEMÓRIAKÁRTYÁT

- Helyezze be a memóriakártyát a nyílásba úgy, hogy az érintkezők a nyílás melletti képen látható irányba nézzenek. Ellenkező esetben az akciókamera nem fogja tudni azonosítani.
- Csak akkor helyezze be a kártyát, ha az akciókamera ki van kapcsolva, és nincs csatlakoztatva a számítógéphez.
- Formázza a kártyát közvetlenül a kamerában, mielőtt először használná.
- Javasoljuk, hogy nagyobb írási sebességű memóriakártyákat használjon, különösen, ha 4k, Full HD vagy HD videókat szeretne rögzíteni.

**Megjegyzés:** Használjon neves gyártók memóriakártyáit. A nem márkás kártyák nem garantálják az adattárolás megfelelő működését.

- Ha ki kell vennie a memóriakártyát, nyomja meg kissé az ujjával a fényképezőgép felé, hogy kioldja a memóriakártyát a foglalatból, és könnyebb legyen eltávolítani.

**Figyelmeztetés:** Soha ne vegye ki a memóriakártyát az akciókamerából erőszakkal. Fennáll a veszélye, hogy mind az akciókamera, mind a memóriakártya megsérül.

### 6. A KAMERA MŰKÖDTETÉSE

#### AZ AKCIÓKAMERA BEKAPCSOLÁSA

- Nyomja meg és tartsa lenyomva a bekapcsológombot 3 másodpercig. Megjelenik az üdvözlő képernyő, és a kamera bekapcsol video üzemmódban.



## AZ AKCIÓKAMERA KIKAPCSOLÁSA

- Nyomja meg és tartsa lenyomva a bekapcsológombot 3 másodpercig, miközben a kamera üresjárati módban van (nem rögzít, nem indít lejátszást stb.), és a kamera kikapcsol.

## AUTOMATIKUS KIKAPCSOLÁS

- Az akciókamera automatikusan kikapcsol, miután 3 percig nem volt inaktív üresjárati módban.

## KIKAPCSOLÁS ALACSONY TÖLTÖTTTSÉG ESETÉN

- Ha az akkumulátor töltöttségi szintje túl alacsony, a kijelzőn kigyullad az alacsony töltöttségi szint ikon (🔋) és a kamera kikapcsol.

## MŰKÖDÉSI MÓD KIVÁLASZTÁSA

A kamera négy üzemmóddal van felszerelve:

- Videó üzemmód: felvételek készítéséhez;
- Fotó üzemmód: képek készítéséhez;
- Mozgás üzemmód: speciális üzemmód mozgás közbeni felvételek készítéséhez;
- Lejátszás üzemmód: az aktuális videó/fénykép lejátszásához a memóriakártyáról.

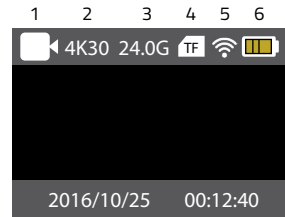
Az üzemmódok közötti váltás után nyomja meg röviden a Mode gombot. A megfelelő üzemmód ikonja megjelenik a kijelző felső sávjában:

- Videó üzemmód: 📹
- Fénykép mód: 📷
- Mozgás mód: 🏃
- Lejátszás mód: ▶

### VIDEÓ MÓD

Akciókamera képernyője videó módban:

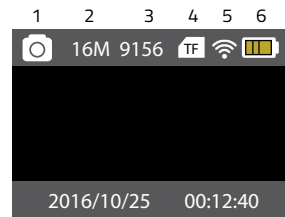
1. Videó üzemmód ikon
2. Felbontás és fps (képkocka/másodperc)
3. A memóriakártya fennmaradó szabad kapacitása
4. Behelyezett memóriakártya ikonja
5. Wi-Fi ikon
6. Az akkumulátor állapotának ikonja
7. Idő vízjel



### FOTÓ MÓD

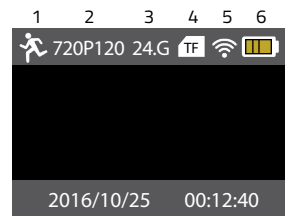
Az akciókamera képernyője fotó üzemmódban:

1. Fotó üzemmód ikon
2. Felbontás
3. A memóriakártya fennmaradó szabad kapacitása
4. Behelyezett memóriakártya ikonja
5. Wi-Fi ikon
6. Az akkumulátor állapotának ikonja
7. Idő vízjel



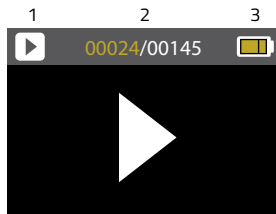
### MOZGÁS ÜZEMMÓD

1. Mozgási mód ikon
2. Felbontás és fps (képkocka/másodperc)
3. A memóriakártya fennmaradó szabad kapacitása
4. Behelyezett memóriakártya ikonja
5. Wi-Fi ikon
6. Az akkumulátor állapotának ikonja
7. Idő vízjel



## LEJÁTSZÁS MÓD

1. Lejátszási mód ikon
2. Aktuális fájlszám/fájlak száma összesen
3. Az akkumulátor állapotának ikonja



- A lejátszási üzemmód kiválasztása után nyomja meg a fel/le gombokat a lejátszani vagy megtekinteni kívánt fájl kiválasztásához.
- A fájl lejátszásához vagy megtekintéséhez nyomja meg a kioldógombot. A videó lejátszás megszakításához nyomja meg újra a kioldógombot.
- A fájlok lejátszása vagy megtekintése közben nyomja meg a fel/le gyors elő/visszatekerés gombot.
- Nyomja meg a bekapcsológombot a videolejátszás leállításához

## 7. KAMERA FUNKCIÓK

<b>Videó felbontás</b>	Videó felbontás kiválasztása.
<b>Hangfelvétel</b>	Rögzíti a videó hangját a beépített mikrofonnal.
<b>Time-lapse videofelvétel</b>	Olyan technika, amely az egyes képkockák rendszeres időközönkénti rögzítésén és azok felgyorsított lejátszásán alapul, így hosszú távú eseményeket rövid idő alatt jelenít meg.
<b>Hurokfelvétel</b>	Lehetővé teszi a folyamatos rögzítést a régi adatok felülírásával.
<b>Lassított mozgás</b>	Lehetővé teszi a lassított felvételek lejátszását részletes nyomon követéshez a gyors cselekményeknél.
<b>Videó bitráta</b>	Meghatározza a videó minőségét és méretét – a nagyobb adatátviteli sebesség jobb képminőséget, de nagyobb fájlméretet is jelent.
<b>Fénykép felbontás</b>	2Mpx, 5Mpx, 8Mpx, 12Mpx, 16Mpx
<b>Időzítés</b>	5s, 10s, 20s
<b>Drámai felvétel</b>	Lehetővé teszi, hogy rövid időközönként gyorsan egymás után készítsen felvételeket, ami ideális gyors akciók vagy mozgássorozatok rögzítéséhez.
<b>Expozíció</b>	Szabályozza a szenzorra eső fény mennyiségét, így befolyásolva a készített képek világosságát és sötétségét.
<b>Fehér egyensúly</b>	A képek színhőmérsékletét úgy állítja be, hogy megfeleljen a jelenlegi fényviszonyoknak, és biztosítsa a pontosabb színvisszaadást.
<b>Képforgatás</b>	Lehetővé teszi a kép forgatását.
<b>Fényforrás frekvencia</b>	50Hz, 60Hz
<b>LED jelzőfény</b>	Villog, amikor videót rögzít.
<b>Képernyőkímélő</b>	10s, 20s, 30s
<b>Automatikus kikapcsolás</b>	1 perc, 3 perc, 5 perc, Kikapcsolva
<b>Idő vízjel</b>	Segít beilleszteni az aktuális dátumot és időt a videóba, ami megkönnyíti a felvételek azonosítását és szervezését.
<b>Kulcshang</b>	Lehetővé teszi a felhasználóknak a rendszerhangok hangerőjének egyéni beállítását.
<b>Nyelv</b>	Angol, Német, Cseh, Szlovák, Lengyel, Magyar, Litván
<b>Dátum és idő</b>	Időbélyeg
<b>Formátum</b>	Visszaállítja a kártyát az alapértelmezett állapotba.

<b>Gyári visszaállítás</b>	Visszaállítja a kamera összes beállítását az eredeti gyári értékekre.
<b>Firmware verzió</b>	Az aktuális firmware verziót jelzi.

## 8. CSATLAKOZÁS A SZÁMÍTÓGÉPHEZ

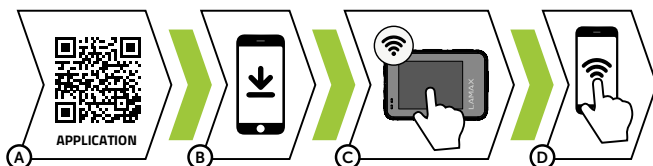
- Csatlakoztassa az akciókamerát a számítógéphez a mellékelt USB-kábelrel.
- Nyissa meg a mappát a csatlakoztatott külső eszközzel, és a mentett fájlokat a mentett fájlok mappában kezelheti.

**Megjegyzés:** Ne válassza le az akciókamerát a számítógépről, és ne vegye ki a memóriakártyát a fájlok letöltése közben. Fennáll az adatvesztés veszélye.

- Ha az akciókamera U-meghajtó módban (MSDC mód) van csatlakoztatva, nyomja meg a zár gombot, hogy átkapcsoljon webkamera módba (PCCAM), a kijelzőn megjelenik: PCCAM.
- Most már elindíthatja a webkamerát az alkalmazáson keresztül.
- A visszatéréshez nyomja meg röviden a zárógombot.

**Megjegyzés:** A Webkamera üzemmód (PCCAM üzemmód) illesztőprogramja nem szükséges a Windows XP (SP3) vagy magasabb verziójú operációs rendszerekhez.

## 9. WI-FI – OKOSTELEFONOS ALKALMAZÁS



A mobil alkalmazás segítségével megváltoztathatja a kamera üzemmódjait és beállításait, vagy megtekintheti és közvetlenül a mobil készülékére is letöltheti a felvett videókat és rögzített fényképeket.

- Az alkalmazás letöltéséhez szkennelje be a QR-kódot, vagy kattintson az alábbi linkre:  
<https://www.lamax-electronics.com/x32/app/>
- Telepítse az alkalmazást a mobil eszközére.
- Kapcsolja be a WiFi-t a kamerában a UP gomb megnyomásával.
- Csatlakozzon rá a mobilkészülékével a kamera nevével rendelkező WiFi hálózathoz. A WiFi jelszava megjelenik a kamera képernyőjén (alapértelmezett beállítás 1234567890).
- A sikeres csatlakozást követően nyissa meg az alkalmazást, és kattintson a „Connect Camera” (Kamera csatlakoztatása) gombra a kamera felületére való belépéshez és a kamera vezérléséhez.

## 10. VÍZÁLLÓSÁG

**A vízbe merítéssel szembeni ellenálló képesség a következő feltételek mellett teljesül:**

### AKCIÓKAMERA:

A kamera csak akkor vízálló, ha vízálló tokban van.

### VÍZÁLLÓ TOK:

A tok 40 méteres vízoszloppal szemben ellenálló. Mielőtt a kamerát a tokban használná, ellenőrizze le, hogy a tok hátsó ajtaja a tok tetején található mechanizmus segítségével megfelelően lett-e lezárva. A tok ajtaját és tömítéseit meg kell tisztítani minden szennyeződéستől, pl. portól, homoktól, stb. Sós vízben történő használatot követően öblítse le a tokot ivóvízzel. A szárításhoz soha ne használjon semmilyen textilt, se külső hőforrást (hajszárító, mikrohullámú sütő stb.), mindig hagyja, hogy a tok lassan száradjon meg.

## 11. BIZTONSÁGI INTÉZKEDÉSEK

**Az első használat előtt a felhasználó kötelessége elsajátítani a termék biztonságos használatának alapjait.**

### FIGYELMEZTETÉSEK ÉS MEGJEGYZÉSEK

- Saját biztonsága érdekében, ne kezelje a kamerát vezetés közben.
- Használjon autós tartót az autóban való használatához. Bizonyosodjon meg róla, hogy a kamera elhelyezése nem zavarja a vezetőt a kilátásban és ne legyen a légszák útjában.
- Bizonyosodjon meg róla, hogy ne legyen semmilyen tárgy vagy tükröződő anyag a lencse látóterében. Tartsa tisztán a lencsét.
- Ha a szélvédő sötétített vagy fóliázott, az befolyásolhatja a felvétel minőségét.
- A készülék érzékeny eszköz, kérjük, óvja a leejtéstől és ütődésektől.

### BIZTONSÁGI FIGYELMEZTETÉS

- Ne használja a töltőt nedves környezetben. Ne érintse meg a töltőt, ha vizes a keze, vagy a lába.
- Ne takarja le a töltőt használat közben, biztosítson megfelelő szellőzést körülötte.
- Megfelelő csatlakozóba dugja be a töltőt. A megfelelő volt érték megtalálható a csomagoláson.
- Ne használja a töltőt, ha sérülést lát rajta, ne javítsa saját kezűleg.
- Ha túlmelegedést tapasztalna, húzza ki a töltőt a csatlakozóból.
- Az eszközt csak felügyelet mellett töltsen!
- A csomagolás apró darabkákat tartalmaz, amelyek gyermekek számára veszélyt jelenthetnek. A terméket mindig tartsa a gyermekektől elzárva. A zacskók, illetve a bennük található darabkák lenyelése fulladást okozhat.

### BIZTONSÁGI ÚTMUTATÓ AZ LI-ION AKKUMULÁTOR


- Az első használat előtt az akkumulátort teljesen töltsen fel.
- Kizárólag olyan töltőt használjon, amelyet az ilyen típusú akkumulátor feltöltésére szántak.
- A feltöltés céljából használjon szabványos kábelt, ellenkező esetben a készülék károsodhat.
- A töltőhöz soha ne csatlakoztasson mechanikusan sérült vagy felduzzadt akkumulátort. Ilyen állapotban lévő akkumulátort soha ne használjon, mivel robbanásveszélyes.
- Ne használjon sérült töltőt vagy hálózati adaptert.
- Az akkumulátort szobahőmérsékleten töltsen fel, soha ne töltsen 0°C alatti, vagy 40°C feletti hőmérsékleten.
- Ügyeljen arra, hogy az akkumulátort ne ejtse le és óvja az ütésektől és egyéb sérülésektől. A sérült akkumulátort ne kísérelje megjavítani.
- Ügyeljen arra, hogy az akkumulátor és a töltő ne legyen kitéve nedvességnek és ne kerüljön érintkezésbe folyadékokkal, esővel, hóval.
- Az akkumulátort ne tárolja a gépjárműben és tartsa távol a napfénytől és más hőforrásoktól. Az erős fény és a magas hőmérséklet károsíthatja az akkumulátort.
- Feltöltés közben ne hagyja az akkumulátort felügyelet nélkül, mivel egy esetleges rövidzárlat vagy véletlen túltöltés (megtörténhet gyorsítottásra nem alkalmas akkumulátor esetén, vagy ha az akkumulátort túlságosan magas feszültségen töltjük, vagy sérült töltő használatával) veszélyes vegyi anyagok szivárgásához, robbanáshoz, vagy tűzhoz vezethet!
- Ha az akkumulátor töltés közben túlságosan felmelegszik, azonnal kapcsolja le az áramforrásról.
- Töltés közben a töltőt és az akkumulátort soha ne helyezze gyúlékony anyagokra és tárgyakra vagy ezek közelébe. Vigyázat a függönyökre, szőnyegekre, asztalterítőkre!
- Amint a készülék teljesen feltöltődött, biztonsági okokból azonnal kapcsolja le az áramforrásról.
- Az akkumulátort tartsa távol a gyermekektől és háziállatoktól.
- A töltőt és az akkumulátort soha ne szerelje szét.
- Amennyiben az ön készüléke integrált akkumulátorral rendelkezik, soha ne szerelje szét, eltérő rendelkezés hiányában. A készülék szétszerelése kockázatos, a termék sérüléséhez és ennek következtében garanciavesztéséhez vezethet.

- A használt vagy sérült akkumulátort ne dobja a szemétkosárba, tűzbe vagy fűtőberendezésekbe, hanem szolgáltassa be a veszélyes hulladék gyűjtőhelyeken.

## A KÉSZÜLÉK GONDOZÁSA

- A megfelelő készülék használat biztosítja a hibamentes működést és csökkenti a sérülés veszélyét.
- Tartsa távol erős nedvességtől és extrém hőmérsékletektől. Ne tegye ki tartósan erős napfénynek vagy UV sugárzásnak.
- Ne dobja le vagy tegye ki rázkódásnak.
- Ne tegye ki hirtelen és ismétlődő hőmérsékletváltozásnak, ez nedvesség lecsapódást okozhat a készülék belsejében, ami tönkre teheti a készüléket. Nedvesség lecsapódás esetén használat előtt, hagyja, hogy kiszáradjon a készülék.
- A kijelző könnyen megkarcolódhat. Kerülje az érintkezést éles tárgyakkal.
- Ne tisztítsa a készüléket bekapcsolt állapotban. Használjon finom törőruhát a kijelző, valamint a külső letörülésére. Ne használjon papír törőt a kijelzőhöz.
- Ne próbálja meg szétszedni, javítani, módosítani a készüléket. Szétszedés, módosítás vagy javítási kísérlet kárt okozhat a készülékben, sérülést, anyagi kárt okozhat és megszünteti garanciát.
- Ne tároljon éghető folyadékokat, gázokat és robbanásveszélyes anyagokat a készülék, alkatrészei vagy kiegészítői mellett.
- Ne hagyja a készüléket és tartozékait szem előtt a leparkolt autóban.
- Túlmelegedés károsíthatja a készüléket.
- Ha a kamera erősen klórozott vízzel vagy tengervízzel érintkezik, öblítse le ivóvízzel és szárítsa meg.
- A kamera megszáritásához ne használjon külső hőforrást, például mikrohullámú sütőt vagy hajszárítót.
- Úzás vagy búvárkodás előtt mindig győződjön meg róla, hogy az elemek fedelét vagy a tápkábel ajtaját nem hagyta-e nyitva. Ha igen, zárja le. Máskülönben a fényképezőgép nem lesz vízhatlan.
- A kijelzőt csak erre a célra tervezett ruhával törölje le, hogy elkerülje a karcolásokat.

## TOVÁBBI TÁJÉKOZTATÁS

1) Háztartások részére: A terméken vagy kísérő dokumentációban lévő jelölés  azt jelenti, hogy az elektromos vagy elektronikus terméket az életciklusa végén külön gyűjtőbe kell kidobni, nem szabad a háztartási hulladékba rakni. A termék megfelelő likvidálásával segíti megőrizni az értékes természeti forrásokat és segíti megelőzni az esetleges negatív hatásokat a környezetre és emberi egészségre, amit a hulladék nem megfelelő likvidálása okozhatna. További részletekért forduljon a helyi hatóságokhoz vagy a legközelebbi gyűjtőhelyre. A termék nem megfelelő likvidálása miatt a nemzeti törvények értelmében bírság is kiszabható. Tájékoztató az elektromos vagy elektronikus termékek likvidálásával kapcsolatban az Európai Közösségen kívüli államokban élő felhasználók részére: A terméken látható jelölés (áthúzott kuka) csupán az Európai tagállamokban érvényes. Az elektromos és elektronikus termékek megfelelő likvidálásával kapcsolatban kérjen részletes tájékoztatást a helyi hatóságoktól vagy a termék értékesítőjétől. Mindent kifejez az áthúzott kuka jelölése a terméken, csomagoláson vagy nyomtatott dokumentumokon.

2) A berendezés garanciális javítás igényét érvényesítse a forgalmazónál. Műszaki problémák és kérdések esetén lépjen kapcsolatba az értékesítővel, aki tájékoztatja Önt a további lépésekről. Tartsa be az elektromos berendezésekre vonatkozó előírásokat. A felhasználó nem jogosult a berendezés szétszerelésére sem bármely részének cseréjére. Amennyiben a borítást felnyitja vagy eltávolítja, az áramütés veszélyének teszi ki magát. A berendezés nem megfelelő összerakása és ismételt csatlakoztatása esetén is áramütés veszélyének teszi ki magát.

A termékekre vonatkozó jótállási idő 24 hónap, hacsak nincs másként meghatározva. A jótállás nem vonatkozik a nem standard használat, mechanikus hatások, agresszív körülmények, valamint a használati útmutatóval ellentétes használat okozta sérülésekre, illetve a standard kopásra. Az akkumulátorra nyújtott jótállás időtartama 24 hónap, a kapacitására 6 hónap. A garanciával kapcsolatos további információkért látogasson el a [www.elem6.com/warranty](http://www.elem6.com/warranty) weboldalra.

Sem a gyártó, sem az importőr, sem a forgalmazó nem felelnek a termék összeszerelése vagy helytelen használata okozta károkért.

### EU MEGFELELŐSÉGI NYILATKOZAT

Az elem6 s.r.o. cég ezúton kijelenti, hogy minden LAMAX X3.2 fogyasztó megfelel a 2014/30/EK, illetve a 2014/53/EU irányelvek alapkövetelményeinek és mindent további vonatkozó rendelkezésének. A termékek TrueLife korlátlanul forgalmazhatók Németországban, a Cseh Köztársaságban, Szlovákiában, Lengyelországban, Magyarországon és az EU többi tagállamában. A megfelelőségi nyilatkozat letölthető a <https://www.lamax-electronics.com/support/doc/> oldalról.

- Pasmó częstotliwości w którym urządzenie pracuje: 2.41–2.475 GHz
- Maksymalny poziom mocy wysyłany w paśmie częstotliwości, w którym radiowe urządzenie działa: 6 dBi

### GYÁRTÓ:

elem6 s.r.o., Braškovská 308/158, 161 00 Praha 6  
[www.lamax-electronics.com](http://www.lamax-electronics.com)



**A nyomdai elírások miatt tévedés joga fenntartva.**

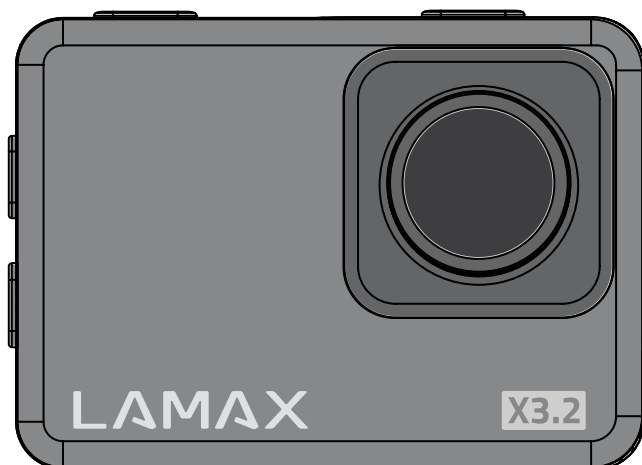
# LAMAX

ELECTRONICS

---

# LAMAX X3.2

ACTION CAMERA



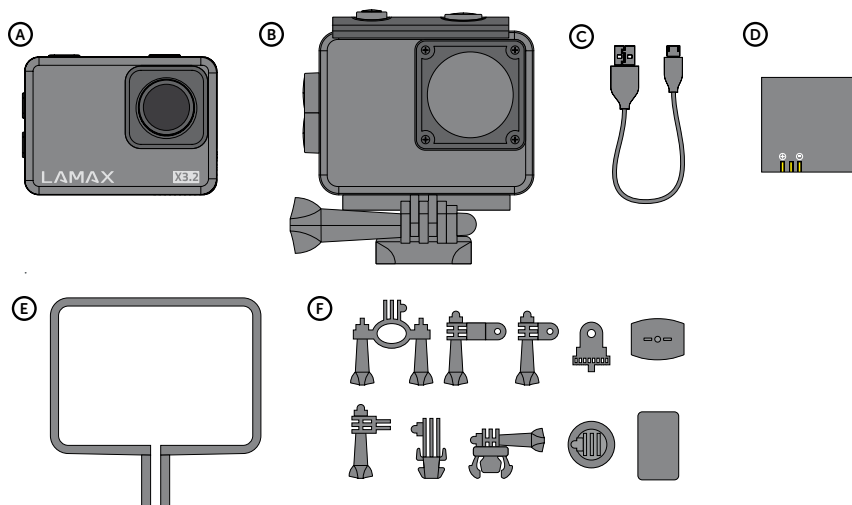
---

SL – Navodila za uporabo

## VSEBINA

1. VSEBINA PAKETA .....	2
2. SPOZNAVANJE S KAMERO .....	3
3. PREGLED NADZORA KAMERE .....	4
4. POLNJENJE.....	4
5. VSTAVITEV POMNILNIŠKE KARTICE .....	4
6. NADZOR KAMERE .....	4
7. FUNKCIJE KAMERE .....	6
8. RAČUNALNIŠKA POVEZAVA .....	7
9. WI-FI – MOBILNA APLIKACIJA .....	7
10. VODOODPORNOST .....	7
11. VARNOSTNI UKREPI .....	8

## 1. VSEBINA PAKETA

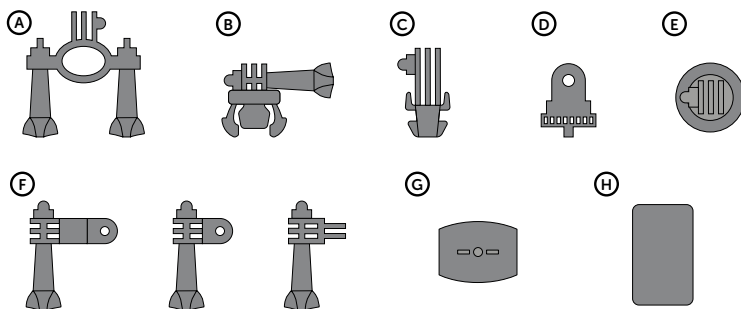


- A** Akcijska kamera LAMAX X3.2
- B** Vodoodporna embalaža do 40 m
- C** USB kabel za polnjenje/prenos datotek

- D** Li-ion baterija
- E** Okvir
- F** Prijemala

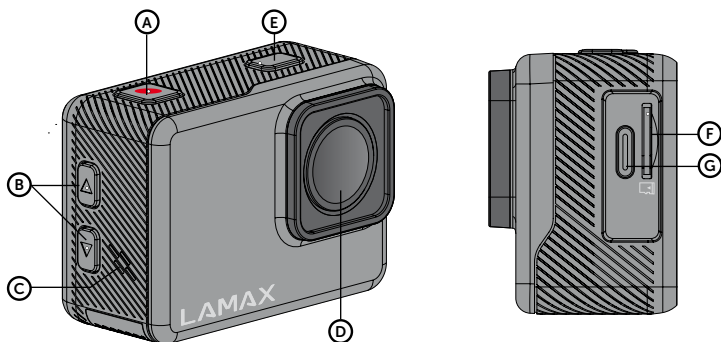


## PRIJEMALA



- A** Držalo za palico – za pritrnitev, na primer, na krmilo
- B** Fast plug-in – za hitro pričvrstitev držala
- C** J mount – za hitro pritrnitev z možnostjo dviga
- D** Reducirni nastavek za stativ – za povezavo kamere brez etujja na dodatke
- E** Adapter za stativ – za povezavo kamere v etujju na stativ
- F** 3-axis connector (3 deli) – za pritrnitev v poljubni smeri
- G** Samolepilno držalo – za pritrnitev na gladke površine (čelada, kapuca)
- H** Nadomestna podlaga 3M – za ponovno pritrnitev samolepilnega držala

## 2. SPOZNAVANJE S KAMERO



- A** Sprožiliec
- B** Gumbi gor/dol
- C** Sistemske zvoke
- D** Objektiv
- E** Gumb za vklop/način delovanja
- F** Reža za pomnilniško kartico
- G** Vrata USB-C

**Opomba:** Uporabljajte samo priporočene dodatke, sicer lahko pride do poškodbe kamere.

### 3. PREGLED NADZORA KAMERE

<b>Vklop in izklop</b>	Pritisnite in držite gumb za vklop 3 sekunde.
<b>Samodejni izklop</b>	Kamera se izklopi po 3 minutah nedejavnosti.
<b>Začetek/ustavitev snemanja</b>	Pritisnite sprožilec za začetek snemanja, ponovno pritisnite sprožilec za konec snemanja.
<b>Preklapljanje načinov</b>	Na kratko pritisnite gumb za izbiro načina delovanja.
<b>Vstop v meni</b>	Pritisnite in držite gumb za izbiro načina delovanja.
<b>Pomikanje po meniju</b>	Pritisnite gumba gor/dol.
<b>Vstop v izbrani element menija</b>	Na kratko pritisnite sprožilec.
<b>Vklopite Wi-Fi</b>	Pritisnite in držite gumb gor.

### 4. POLNJENJE

- Pred prvo uporabo mora biti akcijska kamera povsem napolnjena.
- Akcijsko kamero lahko polnite tako, da jo s priloženim USB kablom povežete z računalnikom ali ustreznim omrežnim adapterjem (ni priložen v paketu). Polnjenje se bo začelo samodejno in indikator polnjenja bo zasvetil. Takoj ko ugasne, je akcijska kamera popolnoma napolnjena.
- Čas polnjenja traja približno 4 ure.
- Ko na zaslonu zasveti ikona prazne baterije (🔋), se fotoaparati samodejno izklopi in ga je treba napolniti.

**Opomba:** Če snemanje poteka, se fotoaparati ne bo mogel polniti, dokler ne ustavite snemanja.

### 5. VSTAVITEV POMNILNIŠKE KARTICE

- Pomnilniško kartico vstavite v režo tako, da bodo kontakti obrnjeni v isto smer, kot je prikazano na sliki poleg reže. V nasprotnem primeru akcijska kamera ne bo mogla prepoznati.
- Kartico vstavite samo, ko je akcijska kamera izklopljena in ni povezana z računalnikom.
- Pred prvo uporabo kartico formatirajte neposredno v fotoaparatu.
- Priporočamo uporabo pomnilniških kartic z višjo hitrostjo zapisovanja, še posebej, če želite snemati videoposnetke 4k, Full HD ali HD.

**Opomba:** Uporabljajte le pomnilniške kartice priznanih proizvajalcev. Kartice drugih proizvajalcev ne zagotavljajo pravilnega delovanja shranjevanja podatkov.

- Če morate odstraniti pomnilniško kartico, jo s prstom nežno potisnite proti fotoaparatu, da jo sprostite iz reže in jo boste lažje odstranili.

**Opozorilo:** Nikoli ne odstranjujte pomnilniške kartice iz akcijske kamere na silo. Obstaja nevarnost poškodbe akcijske kamere in pomnilniške kartice.

### 6. NADZOR KAMERE

#### VKLOPITE AKCIJSKO KAMERO

- Pritisnite in držite gumb za vklop 3 sekunde. Prikaže se začetni zaslon in kamera se vklopi v video načinu.

#### IZKLOPITE AKCIJSKO KAMERO

- Pritisnite in 3 sekunde držite gumb za vklop, ko je kamera v načinu mirovanja (ne snema, ne predvaja itd.), in kamera se bo izklopila.

## SAMODEJNI IZKLOP

- Akcijska kamera se samodejno izklopi po 3 minutah nedejavnosti v načinu mirovanja.

## IZKLOP PRI NIZKI BATERIJI

- Ko je nivo baterije prenizek, bo na zaslonu zasvetila ikona za nizko baterijo (🔋) in fotoaparatska leča se bo izklopila.

## IZBIRA NAČINA DELOVANJA

Kamera je opremljena s štirimi načini delovanja:

- Video način: za snemanje;
- Foto način: za fotografiranje;
- Motion mode: poseben način za snemanje v gibanju;
- Način predvajanja: za predvajanje trenutnega videa/fotografije s pomnilniške kartice.

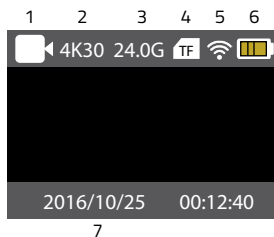
Po preklopu med posameznimi načini na kratko pritisnite gumb za izbiro načina delovanja. V zgornji vrstici zaslona se prikaže ikona ustreznega načina:

- Video način: 📹
- Foto način: 📷
- Način gibanja: 🏃
- Način predvajanja: ▶

### VIDEO NAČIN

Zaslon akcijske kamere v video načinu:

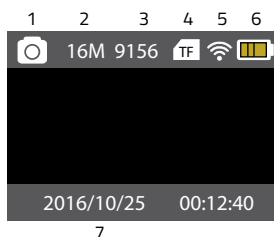
1. Ikona video načina
2. Ločljivost in fps (sličice na sekundo)
3. Preostala prosta prostornina na pomnilniški kartici
4. Ikona vstavljene pomnilniške kartice
5. Ikona Wi-Fi
6. Ikona stanja napolnjenosti baterie
7. Čas v videu



### FOTO NAČIN

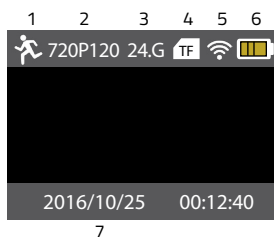
Zaslon akcijske kamere v foto načinu:

1. Ikona načina fotografiranja
2. Ločljivost
3. Preostala prosta kapaciteta na pomnilniški kartici
4. Ikona vstavljene pomnilniške kartice
5. Ikona Wi-Fi
6. Ikona stanja napolnjenosti baterie
7. Čas v videu



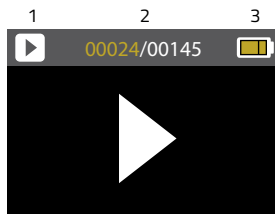
### NAČIN GIBANJA

1. Ikona načina gibanja
2. Ločljivost in fps (sličice na sekundo)
3. Preostala prosta prostornina na pomnilniški kartici
4. Ikona vstavljene pomnilniške kartice
5. Ikona Wi-Fi
6. Ikona stanja napolnjenosti baterie
7. Čas v videu



## NAČIN PREDVAJANJA

1. Ikona načina predvajanja
2. Številka trenutne datoteke/skupno število datotek
3. Ikona stanja napoljenosti baterije



- Ko izberete način predvajanja, pritisnite gumba gor/dol, da izberete datoteko, ki jo želite predvajati ali si ogledati.
- Pritisnite sprožilni gumb, da začnete ali si ogledate datoteko. Ponovno pritisnite sprožilec, da začasno ustavite predvajanje videa.
- Ko predvajate ali gledate datoteke, pritisnite gumb gor/dol za hitro predvajanje/naprej.
- Pritisnite gumb za vklop, da končate predvajanje videa..

## 7. FUNKCIJE KAMERE

<b>Ločljivost videa</b>	Izbira ločljivosti videa.
<b>Vsebina paketa</b>	Zajame zvočno sled videa s pomočjo vgrajenega mikrofona.
<b>Časovni videoposnetek</b>	Tehnika, ki vključuje zajemanje posameznih sličic v rednih intervalih in njihovo pospešeno predvajanje, s čimer se dolgotrajni dogodek prikaže v kratkem času.
<b>Snemanje v zanki.</b>	Omogoča neprekinjeno snemanje s prepisovanjem starih podatkov.
<b>Počasno gibanje</b>	Omogoča predvajanje počasnega posnetka za podrobno spremljanje hitrih akcij.
<b>Bitna hitrost videa</b>	Meghatározza a videó minőséget és méretét – a nagyobb adatátviteli sebesség jobb képmínőséget, de nagyobb fájl méretet is jelent.
<b>Ločljivost fotografije</b>	2Mpx, 5Mpx, 8Mpx, 12Mpx, 16Mpx
<b>Samosprožilec</b>	5s, 10s, 20s
<b>Serijska fotografija</b>	Omogoča hitro zaporedno snemanje v kratkih intervalih, kar je idealno za zajem hitrih akcij ali gibanj.
<b>Ekspozicija</b>	Prilagaja količino svetlobe, ki pade na senzor, s čimer vpliva na svetlost in temnost posnetih slik.
<b>Uravnoteženje beline</b>	Prilagaja barvno temperaturo slik, da ustreza trenutnim svetlobnim pogojem in zagotovi natančnejše reproduciranje barv.
<b>Vrtenje slike</b>	Omogoča vrtenje slike.
<b>Frekvenca</b>	50Hz, 60Hz
<b>LED - svetleča dioda</b>	Utripne, ko se snema video.
<b>Zaščitni zaslon</b>	10s, 20s, 30s
<b>Samodejno izklop</b>	1 minuta, 3 minute, 5 minut, Izklopljeno
<b>Čas v videu</b>	Služi za vstavljanje trenutnega datuma in časa v video, kar olajša identifikacijo in organizacijo posnetkov.
<b>Sistemske zvoke</b>	Omogoča uporabnikom individualno prilagajanje glasnosti sistemskih zvokov.
<b>Jezik</b>	Angleščina, nemščina, češčina, slovaščina, poljščina, madžarščina, litovščina
<b>Datum in čas</b>	Doda časovni žig videoposnetkom za lažjo identifikacijo, sinhronizacijo in arhiviranje posnetkov.
<b>Oblikovati</b>	Obnovi kartico na privzeto stanje.
<b>Tovarniške nastavitve</b>	Obnovi vse nastavitve kamere na prvotne tovarniške vrednosti.

**Različica programske opreme** Označuje trenutno različico programske opreme.

## 8. RAČUNALNIŠKA POVEZAVA

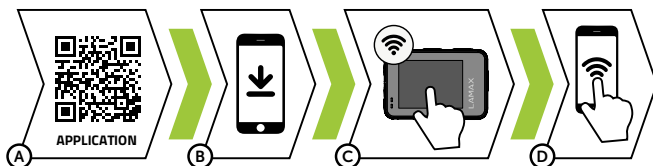
- Povežite akcijsko kamero z računalnikom s priloženim kablom USB.
- Odprite imenik s povezano zunanjo napravo in lahko upravljate shranjene datoteke v mapi s shranjenimi datotekami.

**Opomba:** Med nalaganjem datotek ne izključite akcijske kamere iz računalnika ali odstranite pomnilniške kartice. Tveganje izgube podatkov.

- Če je akcijska kamera povezana v načinu U-disk (način MSDC), pritisnite sprožilec, da jo preklopite v način spletne kamere (PCCAM), na zaslonu se prikaže: PCCAM.
- Zdaj lahko spletno kamero zaženete prek aplikacije.
- Za vrnitev nazaj na kratko pritisnite sprožilec.

**Opomba:** Gonilnik ni potreben za način spletne kamere (način PCCAM) za Windows XP (SP3) ali novejši.

## 9. WI-FI – MOBILNA APLIKACIJA



S pomočjo mobilne aplikacije boste lahko spreminjali načine in nastavitve kamere ali si ogledovali ter prenašali posnete videe in fotografije neposredno na svoj mobilni telefon.

- (A) Optično preberite kodo QR za prenos aplikacije ali kliknite na naslednjo povezavo: <https://www.lamax-electronics.com/x32/app/>
- (B) Namestite aplikacijo na svojo mobilno napravo.
- (C) V fotoaparatu vklopite Wi-Fi z dolgim pritiskom na gumb gor.
- (D) Na svoji mobilni napravi se povežite v omrežje WiFi z imenom kamere. Geslo za WiFi je prikazano na zaslonu kamere (tovarniško 1234567890).
- (E) Po uspešni povezavi odprite aplikacijo in kliknite »Poveži kamero«, da vstopite v vmesnik kamere in jo upravljate.

## 10. VODOODPORNOST

**Odpornost pri potopitvi v vodo je izpolnjena ob naslednjih pogojih:**

### AKCIJSKA KAMERA:

Kamera je vodotesna samo, če jo vstavite v vodotesni etui.

### VODOTESNI ETUI:

Etui se lahko potopi do globine 40 metrov. Pred uporabo kamere v etuiju se prepričajte, da ste pravilno zaprli zadnja vratca etuija s pomočjo mehanizma na zgornji strani etuija. Vratca in tesnilo etuija mora biti brez kakršnekoli nečistoče, kot je prah, pesek in podobno. Pri uporabi v slani vodi sperite etui s pitno vodo. Za sušenje ne uporabljajte nobenih tekstilnih materialov ali zunanjšega vira toplote (sušilnik, mikrovalovna pečica ipd.), etui vedno pustite, da se postopoma posuši sam.

## 11. VARNOSTNI UKREPI

**Pred prvo uporabo je uporabnik dolžan prebrati načela varne uporabe izdelka.**

### PREVIDNOSTNI UKREPI IN OPOMBE

- Zaradi lastne varnosti ne spreminjajte nastavitve kamere med vožnjo.
- Za uporabo kamere v avtomobilu jo morate pritrditi na steklo. Namestite kamero na tak način, da ne bo ovirala voznika ali preprečevala odpiranja zračnih blazin.
- Noben predmet ne sme blokirati objektivna kamere, v njegovi bližini pa ne sme biti odsevnega materiala. Objektiv mora biti čist.
- Zatemnjeno vetrobransko steklo avtomobila lahko vpliva na kakovost snemanja.

### VARNOSTNI PREVIDNOSTNI UKREPI

- Polnilnika ne uporabljajte na mestih z visoko vlažnostjo. Ne dotikajte se polnilnika z mokrimi rokami ali ko stojite v vodi.
- Če uporabljate polnilnik za napajanje naprave ali polnjenje baterije, zagotovite ustrezno prezračevanje okolice. Polnilnika ne prekrivajte s papirjem ali drugimi predmeti, da ne omejitte njegovega hlajenja. Polnilnika ne uporabljajte, ko je v torbici.
- Polnilnik priključite le na ustrezen vir napajanja. Zahteve glede napetosti so na ohišju in/ali embalaži izdelka.
- Ne uporabljajte polnilnika s poškodovanim kablom. V primeru poškodb ga ne poskušajte popraviti sami!
- Če se naprava pregreje, jo takoj odklopite iz napajanja.
- Napravo morate polniti pod nadzorom.
- Embalaža vsebuje majhne dele, ki so lahko nevarni za otroke. Izdelek vedno hranite izven dosega otrok. Vrečke, pa tudi številne majhne predmete, ki so v njih, lahko povzročijo zadušitev, če jih otrok pogoltne.


### VARNOSTNI UKREPI PRI UPORABI LI-ION BATERIJE

- Pred prvo uporabo popolnoma napolnite baterijo.
- Za polnjenje uporabljajte samo polnilnik, ki je namenjen temu tipu baterije.
- Uporabite standardne napajalne kable. V nasprotnem primeru lahko napravo poškodujete.
- Nikoli ne priključite baterije na polnilnik, ki je bila mehansko poškodovana ali ima izkrivljeno (izbočeno) površino. Baterije v takšnem stanju se ne sme več uporabljati, ker obstaja nevarnost eksplozije.
- Ne uporabljajte poškodovanega omrežnega vmesnika ali polnilnika.
- Polnjenje mora potekati pri sobni temperaturi. Nikoli ne polnite pri temperaturah nižjih od 0 °C ali nad 40 °C.
- Baterijo zaščitite pred padci, je ne prebodite ali poškodujte na kakršenkoli drug način. Poškodovane baterije ne poskušajte popraviti sami.
- Polnilnika in baterije ne izpostavljajte vlagi, vodi, dežju, snegu ali drugim padavinam.
- Baterije ne puščajte v avtomobilu, ne izpostavljajte jo neposredni sončni svetlobi ali postavljajte blizu virov toplote. Močna svetloba ali visoke temperature lahko poškodujejo baterijo
- Pri polnjenju nikoli ne puščajte baterij brez nadzora. Kratkostično ali prekomerno polnjenje (akumulatorja, ki ni primeren za hitro polnjenje, polnjenje s prekomernim tokom ali če je polnilnik napačen) lahko povzroči puščanje agresivnih kemikalij, eksplozijo in posledično požar!
- Če se baterija med polnjenjem pregreva, takoj odklopite baterijo.
- Polnilnika in akumulatorja ne polagajte pri polnjenju na ali v bližino lahko vnetljivih predmetov. Pazite na zavese, odeje, prte, itd.
- Ko je naprava popolnoma napolnjena, jo iz varnostnih razlogov takoj izključite.
- Baterijo hranite izven dosega otrok in živali.
- Nikoli ne poskušajte razstaviti polnilca ali baterije.
- Če je baterija vgrajena, nikoli ne poskušajte razstaviti naprave, če ni drugače navedeno. Vsak tak poskus vključuje tveganje poškodb na izdelku in posledično izgubo garancije.
- Uporabljenih ali poškodovanih baterij ne vrzite v koš za smeti, ogenj ali grelnike, ampak jih zanesite na zbirališča nevarnih odpadkov.

## VZDRŽEVANJE NAPRAVE

- Vzdrževanje naprave zagotavlja nemoteno delovanje in zmanjša nevarnost poškodb.
- Zaščitite napravo pred preveliko vlago in ekstremnimi temperaturami ter je ne izpostavljajte predolgo neposredni sončni svetlobi ali močni ultravijolični svetlobi.
- Napravo zaščitite pred padci ali močnimi udarci.
- Naprave ne izpostavljajte nenadnim ali velikim temperaturnim spremembam. To lahko povzroči nastanek vlage znotraj naprave in povzroči poškodbe. V primeru kopičenja vlage počakajte z uporabo, dokler se naprava popolnoma ne posuši.
- Površina zaslona se enostavno opraska. Ne dovolite, da bi površina zaslona prišla v stik z ostrimi predmeti.
- Naprave nikoli ne čistite med delovanjem. Za brisanje zaslona in zunanjih delov naprave uporabljajte mehko krpo, ki ne pušča vlaken. Za čiščenje zaslona ne uporabljajte papirnatih brisač.
- Ne poskušajte razstavljati, popravljati ali spremeniti naprave. Razstavljanje, spreminjanje ali poskus popravila lahko povzročijo škodo napravi in izgubo garancije ter celo osebne poškodbe in materialno škodo.
- Ne hranite in ne prenašajte vnetljivih tekočin, plinov ali eksplozivov v prostor za shranjevanje naprave, njegovih delov ali dodatne opreme.
- Da ne bi ustvarili priložnosti za krajo, ne puščajte naprave ali dodatne opreme brez nadzora.
- Pregrevanje lahko poškoduje napravo.
- Pri stiku z zelo klorirano ali morskno vodo kamero in vse rabljene dodatke, splaknite v pitni vodi in jo posušite.
- Za sušenje kamere ne uporabljate zunanjega vira toplote kot sta na primer mikrovalovna pečica ali sušilec za lase.
- Pred plavanjem ali potapljanjem vedno preverite, ali niso odprta vratca predala za baterijo oziroma vratca za napajalne vhode. Če je temu tako, jih zaprite. V nasprotnem primeru kamera ne bo vodoodporna.
- Zaslono obrišite le s krpo, ki je za to namenjena, da ga ne opraskate.

## OSTALE INFORMACIJE

1) Simbol prečrtanega zabojnika () , ki je nameščen na izdelku ali v priloženi dokumentaciji, pomeni, da po končani uporabi električne ali elektronske naprave ne smete vreči stran skupaj s komunalnimi odpadki. Izdelek mora biti dostavljen na ustrezno zbirno mesto za električno in elektronsko opremo, namenjeno recikliranju. Izdelek bo sprejet brezplačno. S pravilnim odstranjevanjem tega izdelka pomagata ohraniti dragocene naravne vire in preprečiti morebitne negativne vplive na okolje in zdravje ljudi, ki so lahko posledica nepravilnega ravnanja z odpadki. Za več informacij se obrnite na lokalne organe ali na najbližje zbirno mesto. Odlaganje te vrste odpadkov na nepravilen način se kaznuje s kazensko določbo po ustreznih državnih predpisih. Informacije za uporabnike glede odstranjevanja električne in elektronske opreme (kadar se uporabljajo v podjetjih): Podrobne informacije o pravilnem odlaganju električne in elektronske opreme dobite pri vašem prodajalcu ali dobavitelju. Informacije za uporabnike glede odstranjevanja električne in elektronske opreme v državah zunaj Evropske unije: Zgornji simbol (prečrtana posoda) je obvezujoč samo v Evropski uniji. Podrobne informacije o pravilnem odlaganju električne in elektronske opreme lahko dobite pri vašem nadzornem organu ali prodajalcu naprave. Vse je bilo določeno s simbolom prečrtanega zabojnika na izdelku, na embalaži ali v priloženi dokumentaciji.

2) Garancijo naprav uveljavljajte pri prodajalcu. V primeru tehničnih težav ali vprašanj se obrnite na prodajalca, ki vas bo informiral o nadaljnjih postopkih. Upoštevajte navodila za delo z električno opremo in priključite napajalni kabel samo v ustrezne električne vtičnice. Uporabnik ni pooblaščen za odstranitev naprave ali zamenjavo katerega koli dela. Pri odpiranju ali odstranjevanju pokrovov obstaja nevarnost električnega udara. Nepravilno sestavljanje naprave in ponovno sestavljanje lahko povzročijo električni udar.

Garancijski rok je za izdelke 24 mesecev, če ni drugače navedeno. Garancija se ne nanaša na poškodbe povzročene zaradi nepravilne uporabe, mehanskih poškodb, agresivnih pogojev, uporabi, ki ni v skladu z navodili in zaradi tekoče obrabe. Garancijska doba za baterijo je 24 mesecev, za njeno kapaciteto pa šest mesecev. Za več informacij o garanciji obiščite [www.elem6.com/warranty](http://www.elem6.com/warranty)

Proizvajalec, uvoznik in distributer ne nosijo nobene odgovornosti za morebitne škode povzročene zaradi montaže ali nepravilne uporabe izdelka.

## EU IZJAVA O SKLADNOSTI

Družba elem6 s.r.o. s tem izjavlja, da je LAMAX X3.2 skladne z osnovnimi zahtevami in drugimi ustreznimi določbami direktive 2014/30/EU, 2014/53/EU in RoHS 2011/65/EU Priloga II 2015/863. Izdelki LAMAX so namenjeni za prodajo brez omejitve v Nemčiji, na Češkem, Slovaškem, Poljskem, Madžarskem in v drugih državah članicah EU. Izjavo o skladnosti si lahko prenesete s spleta <https://www.lamax-electronics.com/support/doc/>

- Frekvenčni pas (frekvenčni pasovi), v katerem (v kateri) deluje naprava: 2.41–2.475 GHz
- Najvišja stopnja moči, poslana v frekvenčnem pasu (v frekvenčnih pasovih), v katerem deluje radijska naprava: 6 dB

## PROIZVAJALEC:

elem6 s.r.o., Braškovská 308/158, 161 00 Praha 6  
[www.lamax-electronics.com](http://www.lamax-electronics.com)



**Proizvajalec si pridržuje pravico do sprememb in napak v navodilih.**



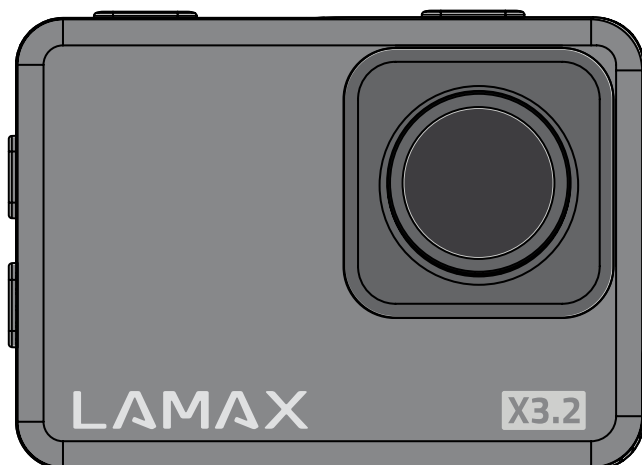
# LAMAX

ELECTRONICS

---

# LAMAX X3.2

ACTION CAMERA



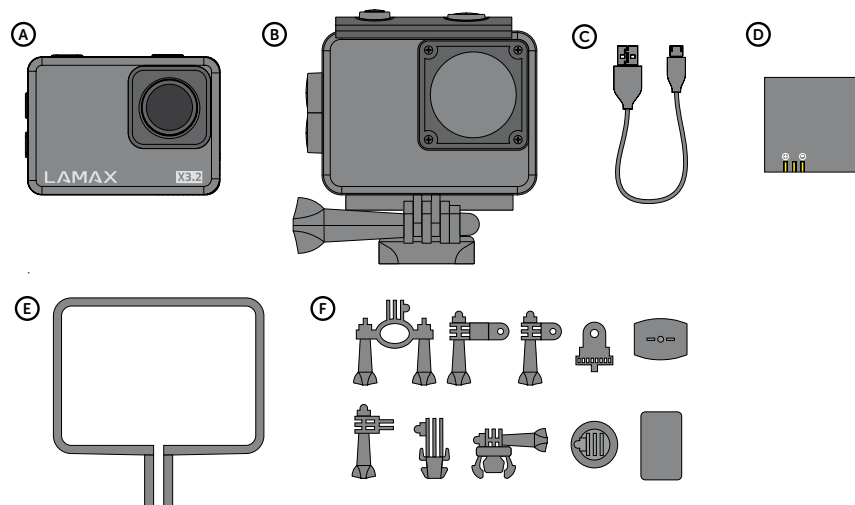
---

HR – Upute za uporabu

## SADRŽAJ

1. SADRŽAJ PAKIRANJA.....	2
2. UPOZNAVANJE S KAMEROM.....	3
3. PREGLED UPRAVLJANJA KAMEROM.....	4
4. PUNJENJE.....	4
5. UMETAK MEMORIJSKE KARTICE.....	4
6. UPRAVLJANJE KAMEROM.....	4
7. FUNKCIJE KAMERE.....	6
8. POVEZIVANJE NA RAČUNALO.....	7
9. WI-FI – MOBILNA APLIKACIJA.....	7
10. VODONEPROPUSNOST.....	7
11. SIGURNOSNE MJERE.....	8

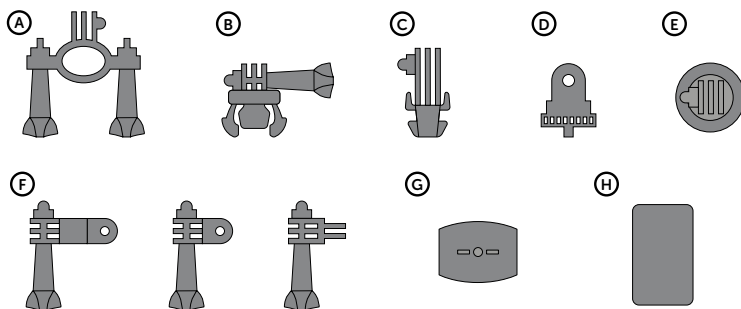
### 1. SADRŽAJ PAKIRANJA



- A** Akcijska kamera Lamax X3.2
- B** Vodootporno pakiranje do 40 m
- C** USB kabel za punjenje/prijenos datoteka

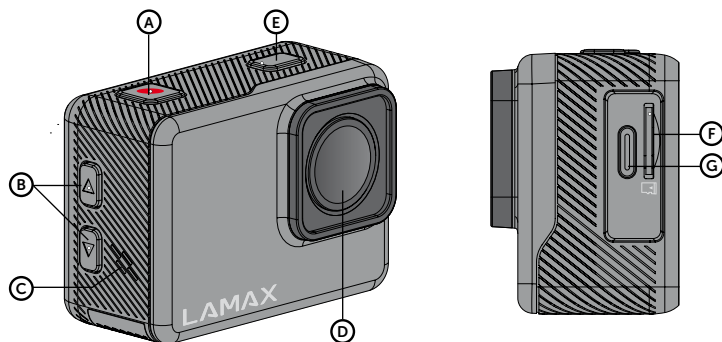
- D** Li-ion baterija
- E** Okvir
- F** Hvataljke

## HVATALJKE



- (A) Držač štapa – za montažu, na primjer, na upravljač
- (B) Fast plug-in – za brzo učvršćivanje držača
- (C) I nosač – za brzo postavljanje s podizanjem
- (D) Redukcija stativa – za pričvršćivanje kamere bez kutije za dodatnu opremu
- (E) Adapter za stativ – za spajanje kamere u kućištu na stativ
- (F) 3-osni konektor (3 dijela) – za fiksiranje u bilo kojem smjeru
- (G) Samoljepljivi držač – za pričvršćivanje na glatku površinu (kaciga, poklopac motora)
- (H) Zamjenska 3M podloga – za ponovno lijepljenje samoljepljivog držača

## 2. UPOZNAVANJE S KAMEROM



- (A) Okidač
- (B) Tipke gore/dolje
- (C) Sistemski zvukovi
- (D) Objektiv
- (E) Tipka za uključivanje/odabir načina rada
- (F) Utor za memorijsku karticu
- (G) USB-C priključak

**Napomena:** Koristite samo preporučenu dodatnu opremu, inače se kamera može oštetiti.

### 3. PREGLED UPRAVLJANJA KAMEROM

<b>Uključivanje i isključivanje</b>	Pritisnite i držite gumb za napajanje 3 sekunde.
<b>Automatsko isključivanje</b>	Kamera se isključuje nakon 3 minute neaktivnosti.
<b>Pokretanje/zaustavljanje snimanja</b>	Pritisnite okidač za početak snimanja, ponovno pritisnite okidač za završetak snimanja.
<b>Promjena načina rada</b>	Kratko pritisnite tipku za odabir načina rada.
<b>Ulazak u izbornik</b>	Pritisnite i držite tipku za odabir načina rada.
<b>Krećite se kroz izbornik</b>	Pritisnite tipke gore/dolje.
<b>Ulaz u odabranu stavku izbornika</b>	Pritisnite kratko okidač.
<b>Uključite Wi-Fi</b>	Pritisnite i držite tipku gore.

### 4. PUNJENJE

- Akcijska kamera mora biti potpuno napunjena prije prve uporabe.
- Akcijska kamera se može puniti spajanjem na računalo ili na odgovarajući mrežni adapter (nije uključen u pakiranje) pomoću priloženog USB kabela. Punjenje će započeti automatski i indikator punjenja će zasvijetliti. Čim se ugasi, akcijska kamera je potpuno napunjena.
- Vrijeme punjenja traje otprilike 4 sata.
- Kada ikona niske baterije (🔋), zasvijetli na zaslonu, kamera se automatski isključuje i treba je napuniti.

**Napomena:** Ako je snimanje u tijeku, kamera se neće moći puniti dok ne zaustavite snimanje.

### 5. UMETAK MEMORIJSKE KARTICE

- Umetnite memorijsku karticu u utor tako da kontakti budu okrenuti u istom smjeru kao što je prikazano na slici pored utora. U suprotnom akcijska kamera neće moći identificirati.
- Karticu umetnite samo kada je akcijska kamera isključena i nije spojena na računalo.
- Formatirajte karticu izravno u fotoaparatu prije prve uporabe.
- Preporučamo korištenje memorijskih kartica s većom brzinom pisanja, posebno ako želite snimati 4k, Full HD ili HD videozapise.

**Napomena:** Koristite samo memorijske kartice renomiranih proizvođača. Kartice drugih proizvođača ne jamče ispravan rad pohrane podataka.

- Ako trebate izvaditi memorijsku karticu, nježno je gurnite prstom prema fotoaparatu kako biste je oslobodili iz utora i lakše je izvadili.

**Upozorenje:** Nikada ne uklanjajte memorijsku karticu iz akcijske kamere na silu. Postoji opasnost od oštećenja akcijske kamere i memorijske kartice.

### 6. UPRAVLJANJE KAMEROM

#### UKLJUČITE AKCIJSKU KAMERU

- Pritisnite i držite tipku za napajanje 3 sekunde. Pojavljuje se početni zaslon i kamera se uključuje u video modu.

#### ISKLJUČITE AKCIJSKU KAMERU

- Pritisnite i držite tipku za napajanje 3 sekunde kada je kamera u stanju mirovanja (ne snima, ne reproducirá itd.) i kamera će se isključiti.

## AUTOMATSKO GAŠENJE

- Akcijska kamera automatski će se isključiti nakon 3 minute neaktivnosti u načinu mirovanja.

## ISKLJUČIVANJE NISKE BATERIJE

- Kada je razina baterije preniska, ikona niske baterije (🔋) će zasvijetliti na zaslonu i kamera će se isključiti.

## IZBOR NAČINA RADA

Kamera je opremljena s četiri načina rada:

- Video mod: za snimanje;
- Foto način: za snimanje slika;
- Motion mode: poseban način za snimanje u pokretu;
- Način reprodukcije: za reprodukciju trenutnog videa/fotografije s memorijske kartice.

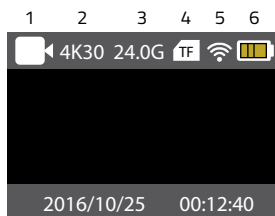
Nakon prebacivanja između pojedinih načina rada, kratko pritisnite tipku za odabir načina rada. Ikona odgovarajućeg načina prikazat će se na gornjoj traci zaslona:

- Video način rada: 📹
- Foto način rada: 📷
- Način kretanja: 🏃
- Način reprodukcije: ▶

### VIDEO NAČIN

Zaslon akcijske kamere u video modu:

1. Ikona video načina
2. Rezolucija i fps (sličica u sekundi)
3. Preostali slobodni kapacitet na memorijskoj kartici
4. Ikona umetnute memorijske kartice
5. Wi-Fi ikona
6. Ikona statusa napunjenosti baterije
7. Vrijeme u videu



### FOTO NAČIN RADA

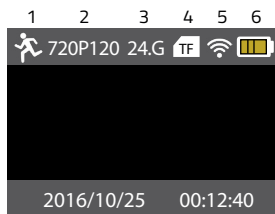
Zaslon akcijske kamere u foto modu:

1. Ikona foto moda
2. Razlučivost
3. Preostali slobodni kapacitet na memorijskoj kartici
4. Ikona umetnute memorijske kartice
5. Wi-Fi ikona
6. Ikona statusa napunjenosti baterije
7. Vrijeme u videu



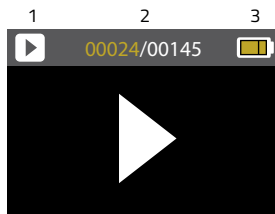
### NAČIN KRETANJA

1. Ikona načina kretanja
2. Rezolucija i fps (sličica u sekundi)
3. Preostali slobodni kapacitet na memorijskoj kartici
4. Ikona umetnute memorijske kartice
5. Wi-Fi ikona
6. Ikona statusa napunjenosti baterije
7. Vrijeme u videu



## NAČIN REPRODUKCIJE

1. Ikona načina reprodukcije
2. Broj trenutne datoteke/ukupni broj datoteka
3. Ikona statusa napunjenosti baterije



- Nakon odabira načina rada reprodukcije, pritisnite tipke gore/dolje za odabir datoteke koju želite reproducirati ili pogledati.
- Pritisnite tipku za pokretanje ili pregled datoteke. Ponovno pritisnite okidač za pauziranje video reprodukcije.
- Prilikom reprodukcije ili gledanja datoteka, pritisnite tipku za brzu reprodukciju/naprijed gore/dolje.
- Pritisnite tipku za uključivanje/isključivanje za prekid video reprodukcije.

## 7. FUNKCIJE KAMERE

<b>Razlučivost videa</b>	Odabir razlučivosti videa.
<b>Snimanje glasa</b>	Snima zvučni zapis videa pomoću ugrađenog mikrofona.
<b>Ubrzani video</b>	Tehnika koja se sastoji od snimanja pojedinačnih sličica u redovitim intervalima i njihovog ubrzanog reprodukcije, čime se prikazuje dugotrajni događaj u kratkom vremenu.
<b>Snimanje u petlji.</b>	Omogućuje kontinuirano snimanje prepisivanjem starih podataka.
<b>Usporeno kretanje</b>	Omogućuje reprodukciju usporenih snimaka radi detaljnog praćenja brzih akcija.
<b>Protokol videa</b>	Određuje kvalitetu i veličinu videa – veća brzina prijenosa podataka znači bolju kvalitetu slike, ali i veću veličinu datoteke.
<b>Razlučivost fotografije</b>	2Mpx, 5Mpx, 8Mpx, 12Mpx, 16Mpx
<b>Samookidač</b>	5s, 10s, 20s
<b>Serija fotografija</b>	Omogućava hitro zaporedno snemanje u kratkih intervalih, kar je idealno za zajem hitrih akcij ali gibanj.
<b>Ekspozicija</b>	Prilagođava količinu svjetla koje udara u senzor, čime utječe na svjetlinu i tamninu snimljenih slika.
<b>Balans bijele boje</b>	Prilagaja barvno temperaturo slik, da usreza trenutnim svetlobnim pogojem in zagotovi natančnejše reproduciranje barv.
<b>Rotacija slike</b>	Omogućuje rotaciju slike.
<b>Frekvencija</b>	50Hz, 60Hz
<b>LED - svjetleća dioda</b>	Bljeska kada se snima videozapis.
<b>Zaštita zaslona</b>	10s, 20s, 30s
<b>Automatsko isključivanje</b>	1 minuta, 3 minute, 5 minuta, Isključeno
<b>Vrijeme u video</b>	Služi za umetanje trenutnog datuma i vremena u video, što olakšava identifikaciju i organizaciju zapisa.
<b>Sistemska zvukovi</b>	Omogućuje korisnicima individualno podešavanje glasnoće zvučnih signala sustava.
<b>Jezik</b>	Engleski, njemački, češki, slovački, poljski, mađarski, litavski
<b>Datum i vrijeme</b>	Dodaje vremensku oznaku na videozapise radi lakše identifikacije, sinkronizacije i arhiviranja snimaka.
<b>Formatirati</b>	Vraća karticu na početno stanje.
<b>Tovarnička postavka</b>	Vraća sve postavke kamere na izvorne tvorničke vrijednosti.

## 8. POVEZIVANJE NA RAČUNALO

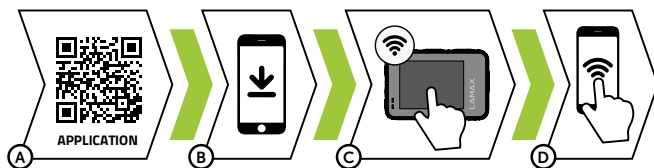
- Spojite akcijsku kameru na računalo pomoću isporučene USB kabela.
- Otvorite direktorij s povezanim vanjskim uređajem i možete upravljati spremljenim datotekama u mapi spremljenih datoteka.

**Napomena:** Nemojte odspajati akcijsku kameru s računala niti uklanjati memorijsku karticu dok se datoteke preuzimaju. Rizik od gubitka podataka.

- Ako je akcijska kamera spojena u načinu rada U-disk (MSDC način rada), pritisnite okidač za prebacivanje u način rada web kamere (PCCAM), na zaslonu će se prikazati: PCCAM.
- Sada možete pokrenuti web kameru putem aplikacije.
- Za povratak, kratko pritisnite okidač.

**Napomena:** Nije potreban upravljački program za način rada web kamere (PCCAM način) za Windows XP (SP3) ili noviji.

## 9. WI-FI – MOBILNA APLIKACIJA



Zahvaljujući mobilnoj aplikaciji, moći ćete mijenjati režime i postavke kamere ili pregledavati i preuzimati snimljena videa i fotografije izravno na vaš mobilni uređaj.

- Skenirajte QR kôd za instaliranje aplikacije ili kliknite na sljedeću poveznicu:  
<https://www.lamax-electronics.com/x32/app/>
- Instalirajte aplikaciju na svoj mobilni uređaj.
- Uključite Wi-Fi u kameri dugim pritiskom na tipku gore.
- Povežite se na svom mobilnom uređaju na WiFi mrežu s nazivom kamere. Lozinka za WiFi prikazana je na zaslonu kamere (tvornički: 1234567890).
- Nakon uspješne veze, otvorite aplikaciju i kliknite „Poveži kameru“ za ulazak u sučelje kamere i upravljanje njome.

## 10. VODONEPROPUSNOST

**Otpornost na uranjanje u vodu ispunjena je pod sljedećim uvjetima:**

### AKCIJSKA KAMERA:

Kamera je vodonepropusna samo ako je umetnuta u vodonepropusno kućište.

### VODONEPROPUSNO KUĆIŠTE:

Vodonepropusno kućište može izdržati uranjanje do dubine od 40 metara. Prije korištenja kamere u kućištu, provjerite jesu li stražnja vratašca na kućištu pravilno zatvorena pomoću mehanizma na gornjoj strani kućišta. Vratašca i brtva moraju biti bez ikakvih nečistoća, kao što su prašina, pijesak i sl. U slučaju korištenja u moru, kućište isperite pitkom vodom. Za sušenje ne koristite nikakve tekstilne materijale ili vanjske izvore topline (fen, mikrovalna pećnica i sl.), kućište uvijek ostavite da se polagano suši.

## 11. SIGURNOSNE MJERE

**Prije prve upotrebe korisnik je dužan upoznati se s pravilima sigurnog korištenja proizvoda.**

### **MJERE OPREZA I NAPOMENE**

- Radi svoje sigurnosti ne mijenjajte postavke kamere tijekom vožnje.
- Za korištenje kamere u automobilu morate imati držač koji se pričvršćuje za vjetrobran. Kameru pričvrstite na mjestu na kojem vozaču ne ometa vidljivost niti je prepreka za eventualno otvaranje zračnih jastuka.
- Nikakav predmet ne smije blokirati objektiv kamere, a blizu njega ne smiju se nalaziti materijali koji odbijaju svjetlost. Održavajte objektiv čistim.
- Zatamnjeni vjetrobran može utjecati na kvalitetu snimke.

### **MJERE OPREZA POVEZANE SA SIGURNOŠĆU**

- Ne koristite punjač na mjestima s visokom vlagom. Ne dirajte punjač mokrim rukama ili kada stojite u vodi.
- Ako koristite punjač za napajanje uređaja ili punjenje baterija, osigurajte pravilno provjetranje prostorije. Ne pokrivajte punjač papirom niti drugima predmetima da ne ometate njegovo hlađenje. Ne koristite punjač ako se nalazi u torbi na prenošenje.
- Punjač priključujte samo na prikladni izvor napajanja. Zahtjevi povezani s naponom nalaze se na kućištu i/ili ambalaži proizvoda.
- Ne koristite punjač s oštećenim kabelom. U slučaju oštećenja nemojte sami vršiti popravke!
- U slučaju prekomjernog zagrijavanja uređaja, odmah ga isključite iz napajanja.
- Uređaj se mora puniti pod nadzorom.
- Ambalaža sadrži sitne elemente koji mogu biti opasni za djecu. Proizvod uvijek držite izvan dohvata djece. Torbice i brojni sitni elementi koji se u njima nalaze mogu izazvati gušenje, ako se progutaju.

### **MJERE OPREZA ZA KORIŠTENJE LI-ION BATERIJE**


- Prije prve upotrebe u potpunosti napunite bateriju.
- Za punjenje koristite samo punjač koji je namijenjen za danu vrstu baterije.
- Koristite standardne kabele za napajanje. U suprotnom se uređaj može oštetiti.
- Nikad nemojte priključivati na punjač bateriju koja je mehanički oštećena ili ima deformiranu (ispupčenu) površinu. Baterija se u takvom stanju više ne smije koristiti jer može eksplodirati.
- Ne koristite nikakve mrežne adaptere niti punjače koji su oštećeni.
- Punjenje se mora odvijati na sobnoj temperaturi. Nikad ne puniti na temperaturi nižoj od 0 °C ili višoj od 40 °C.
- Čuvajte bateriju od pada, nemojte ju bušiti niti oštećivati na bilo koji drugi način. Nemojte samostalno popravljati oštećenu bateriju.
- Ne izlažite punjač niti bateriju djelovanju vlage, vode, kiše, snijega ili drugih padalina.
- Ne ostavljajte bateriju u automobilu, ne izlažite je sunčevoj svjetlosti i ne stavljajte je blizu izvora topline. Jako svjetlo ili visoke temperature mogu oštetiti bateriju.
- Tijekom punjenja ne ostavljajte baterije bez nadzora. Kratki spoj ili prepunjenost (baterije koja nije prikladna za brzo punjenje, koja se puni strujom prevelike jakosti ili u slučaju kvara punjača) može izazvati curenje agresivnih kemikalija, eksploziju i zbog toga može doći do požara!
- Ako se baterija tijekom punjenja prekomjerno zagrije, odmah je isključite iz punjenja.
- Punjač i napajanje bateriju tijekom punjenja ne stavljajte na lakozapaljive predmete ili blizu njih. Pazite na zavjese, tepihe, stolnjake i sl.
- Zbog sigurnosnih razloga isključite uređaj iz punjača, ako je u potpunosti napunjen.
- Bateriju držite izvan dohvata djece i životinja.
- Nikad ne rastavljajte punjač ni bateriju.
- Ako je baterija ugrađena, nikad ne rastavljajte uređaj, osim ako nije drugačije određeno. Takvi pokušaji mogu uzrokovati oštećenje proizvoda, a onda i gubitak jamstva.
- Ne bacajte istrošene ili oštećene baterije u koš za smeće, vatru ili uređaje za grijanje, već ih odnesite na mjesto za sakupljanje opasnog otpada.



## ODRŽAVANJE UREĐAJA

- Održavanje osigurava neometan rad uređaja i smanjuje rizik od oštećenja.
- Čuvajte uređaj od prekomjerne vlage i ekstremnih temperatura te izbjegavajte predugo izlaganje neposrednom djelovanju sunčevog ili ultraljubičastog zračenja.
- Pazite da uređaj ne padne i zaštitite ga od jakog udara.
- Ne izlažite uređaj djelovanju naglih ili velikih promjena temperature. To može dovesti do nakupljanja vlage unutar uređaja, a onda i dovesti do njegovog oštećenja. U slučaju nakupljanja vlage, prije korištenja pričekajte dok se uređaj u potpunosti ne osuši.
- Površina zaslona može se lako ogrepsi. Ne dozvolite da površinu zaslona dotiču oštri predmeti.
- Nikad nemojte čistiti uključeni uređaj. Za brisanje zaslona i vanjskih dijelova uređaja koristite mekanu krpicu koja ne ostavlja vlakna. Za čišćenje zaslona ne koristite papirnate ručnike.
- Nemojte demontirati, popravljati ili modificirati uređaj. Demontaža, modifikacije ili pokušaji samostalnog popravka mogu oštetiti uređaj i dovesti do gubitka jamstva, a mogu čak izazvati i oštećenja na tijelu i imovini.
- Ne skladištite niti ne prenosite lakozapaljive tekućine, plinove i eksplozivne materijale na mjestu gdje se nalazi uređaj, njegovi dijelovi ili pribor.
- Da biste izbjegli krađu, ne ostavljajte bez nadzora uređaj i njegov pribor na uočljivom mjestu u automobilu.
- Pregrijavanje može oštetiti uređaj.
- U dodiru s jako kloriranom ili morskom vodom, kameru i sav rabljeni pribor, isperite u pitkoj vodi i osušite je.
- Kameru ne sušite vanjskim izvorom topline kao što je, primjerice, mikrovalna pećnica ili sušilo za kosu.
- Prije plivanja ili ronjenja, uvijek provjerite da li je zatvoren poklopac (vratašca) prostora za baterije ili vratašca otvora za napajanje. Ako jesu, zatvorite ih. U suprotnom kamera gubi funkciju otpornosti na vodu.
- Zaslون brišite samo za tu svrhu namijenjenom krpom i izbjegavajte ogrebanje.

## OSTALE INFORMACIJE

1) Simbol precrtanog kontejnera () koji se nalazi na proizvodu ili u popratnoj dokumentaciji označava da se nakon završetka korištenja električni ili elektronički uređaj ne smije bacati u komunalni otpad. Proizvod treba odnijeti na mjesto za prikupljanje električnih i elektroničkih uređaja namijenjenih za reciklažu da bi se pravilno zbrinuo. Na mjestu prikupljanja proizvod će se besplatno preuzeti. Pravilnim zbrinjavanjem ovog proizvoda pomažete u očuvanju dragocjenih prirodnih resursa i sprečavate mogući negativni utjecaj na okoliš i ljudsko zdravlje zbog nepravilnog zbrinjavanja otpada. Za više informacija molimo kontaktirajte lokalne vlasti ili najbliže mjesto za sakupljanja otpada. Za nepravilno bacanje otpada te vrste predviđena je kazna određena u važećim nacionalnim propisima. Informacije za korisnike povezane sa zbrinjavanjem električnih i elektroničkih uređaja (u slučaju korištenja u poduzećima i tvrtkama): Detaljne informacije o pravilnom zbrinjavanju električnih i elektroničkih uređaja možete dobiti kod svojeg prodavača ili dobavljača. Informacije za korisnike povezane sa zbrinjavanjem električnih i elektroničkih uređaja u zemljama izvan Europske unije: Gornji simbol (precrtani kontejner) vrijedi samo u Europskoj uniji. Detaljne informacije o pravilnom zbrinjavanju električnih i elektroničkih uređaja možete dobiti u svojem uredu ili kod prodavača uređaja. Sve je određeno simbolom precrtanog kontejnera na proizvodu, ambalaži ili u popratnoj dokumentaciji.

2) Jamstvene zahtjeve u svezi s uređajem prijavite na mjestu njegove kupnje. U slučaju tehničkih problema ili pitanja kontaktirajte prodavača koji će vas informirati o daljnjem postupku. Pridržavajte se načela o rukovanju električnim uređajima, a kabel za napajanje priključujte samo u adekvatne električne utičnice. Korisnik nije ovlašten za demontažu uređaja ili izmjenu njegovih dijelova. Otvaranje ili uklanjanje zaštita stvara opasnost od strujnog udara. Nepravilna montaža uređaja i njegovo ponovno spajanje može izazvati strujni udar.

Jamstveni rok za proizvode je 24 mjeseca, ako nije drukčije određen. Jamstvo se ne odnosi na oštećenja koja nastanu nestandardnom upotrebom, mehaničkim oštećenjem, izlaganjem agresivnim uvjetima, postupanjem protivno uputama i standardnim habanjem. Jamstveni rok za bateriju je 24 mjeseca, a za njezin kapacitet 6 mjeseci. Za više informacija o jamstvu posjetite [www.elem6.com/warranty](http://www.elem6.com/warranty)

Proizvođač, uvoznik i distributer ne snose nikakvu odgovornost za bilo kakve štete koje nastanu montažom ili neispravnom upotrebom proizvoda.

## EU IZJAVA O SUKLADNOSTI

Društvo elem6 s.r.o. ovim izjavljuje da je LAMAX X3.2 u skladu s temeljnim zahtjevima i drugim odgovarajućim odredbama Direktive 2014/30/EU, 2014/53/EU i RoHS 2011/65/EU Aneks II 2015/863. Proizvodi LAMAX su namijenjeni za prodaju bez ograničenja u Njemačkoj, Češkoj, Slovačkoj, Poljskoj, Mađarskoj i drugim državama članicama EU. Izjava o sukladnosti može se preuzeti na stranici <https://www.lamax-electronics.com/support/doc/>

- Frekvencijsko područje (frekvencijska područja) u kojem (u kojim) radi uređaj: 2.41–2.475 GHz
- Maksimalna razina snage koja se šalje u frekvencijskom području (u frekvencijskim područjima), u kojem (u kojim) radijski radi uređaj: 6 dB

### PROIZVOĐAČ:

elem6 s.r.o., Braškovská 308/158, 161 00 Praha 6  
[www.lamax-electronics.com](http://www.lamax-electronics.com)



**Zadržane su greške u tiskanoj verziji ili izmjene u uputama za upotrebu.**



**LAMAX**  
ELECTRONICS