



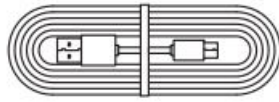
Mi Computer Monitor Light Bar User Manual

[Home](#) » [Mi](#) » MI Computer Monitor Light Bar User Manual

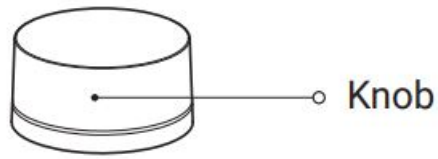
MI Computer Monitor Light Bar User Manual

Mi Computer Monitor Light Bar
User Manual





Type-C Charging Cable



Remote Control



AAA Batteries ×2 (sold separately)

Note:

AAA batteries ×2 are not included and sold separately.

Illustrations of product, accessories and user interface in the user manual are for reference purposes only.

Actual product and functions may vary due to product enhancements.

Contents [[hide](#)]

1 Installation

1.1 1. Install the light bar

1.2 2. Install the remote control batteries

2 How to use

2.1 1. Connect to power supply

2.2 2. Control the light

2.3 3. Adjust the angle

3 Specifications

4 Precautions

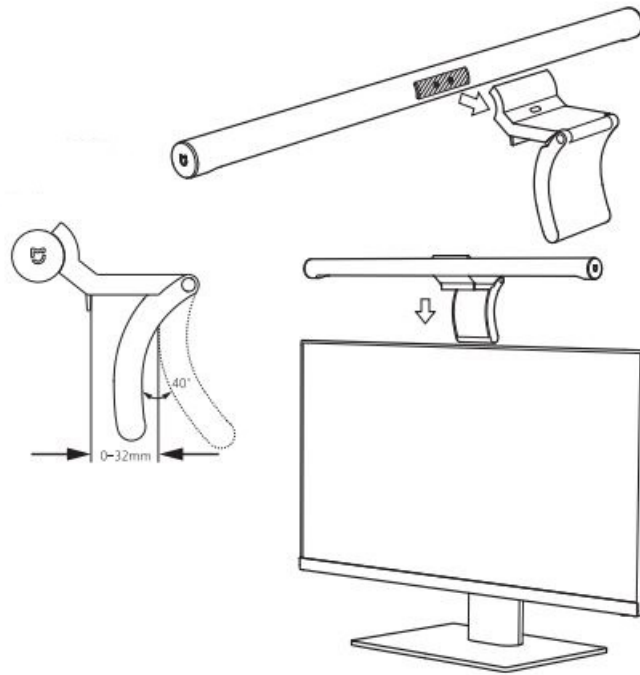
5 Documents / Resources

5.1 References

6 Related Posts

Installation

1. Install the light bar



- With the light area facing downwards, attach the power contact points on the light bar to those in the base.
- Place the base on the upper center of the monitor, and make sure the clamp is firmly secured on the monitor and the bottom of the base is against the back of the monitor.

Notes:

- This product is compatible with monitors that are no more than 32 mm in thickness, as well as hairtail monitors, curved monitors and iMacs.
- Monitors that are less than 10 mm in thickness can support the light bar, but the bottom of the base cannot be against the monitor.
- The angle of the gravity shaft on the base can be adjusted by 40°. Do not pull it too hard.
- This product cannot be used with laptops.

2. Install the remote control batteries

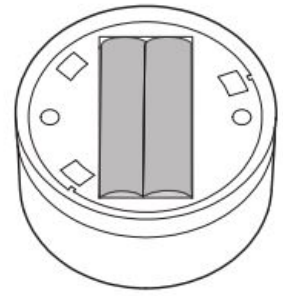
1. Put the remote control with the anti-slip pad facing downwards on your palm, then hold to turn the remote control counterclockwise with another hand to open the back cover.
2. Install two AAA batteries (sold separately). Make sure the positive (+) and negative (-) poles are facing the right direction.
3. Put in the back cover and align the triangle on the bottom with the lock Symbol on the anti-slip pad.
4. Put the remote control with the anti-slip pad facing downwards on your palm, then hold to turn the remote control clockwise with another hand to secure the back cover back into place.



Open the back cover

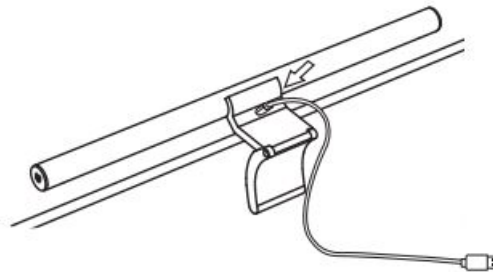


Close the back cover



How to use

1. Connect to power supply



Connect the charging cable to the power port and then plug it into a power supply.

Notes:

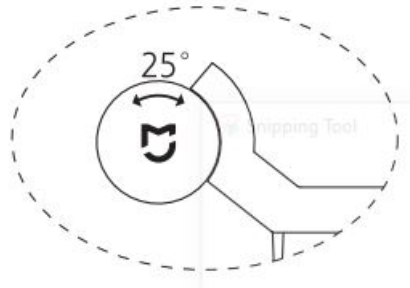
- This product can be powered by an adapter, power bank or computer USB port with an output voltage of 5 V and an output current greater than 1 A. The power supplies must be Safety Extra Low Voltage (SELV) and the peak voltage shall not exceed 5,25 V.
- Please use the original charging cable. Do not use a USB extension cable or splitter, as it may cause the light bar to fail to work properly.
- Do not use fast charging cable that doesn't output 5 V voltage by default.
- If the light bar flickers or makes a noise, please promptly replace the power supply devices.
- Do not connect the power contact points on the light bar or base to any other metallic conductor, as it may damage the product or cause other hazards.
- The original charging cable is designed for Mi Computer Monitor Light Bar only. Any fast charging or data transmission by this charging cable is not supported.

2. Control the light

Press knob on the remote control to turn the light on/off. After turning on the light, rotate the knob on the remote control to adjust the brightness. Press and hold the knob and simultaneously rotate it to adjust the color temperature. Press and hold the knob for two seconds, the light will be the best one for the computer with color temperature in 2700 K and the brightness to 50 %

Note: The remote control and light bar are paired by default when leaving the factory, you can use the remote control directly when you get it. If you need to pair your light bar with a non-original accessory of the same model, press and hold the knob on the remote control within 20 seconds after turning on the light. When the light blinks slowly, it has paired with the accessory successfully.

3. Adjust the angle



Rotate the light bar to adjust the angle, as illustrated. It has an adjustments range of 25°.

Specifications

Model: MJGJD01YL

Operating Temperature: -10°C to 40°C

Operating Humidity: 085% RH

Service Life: 25 000 hours

Power Factor: > 0,9

Rated Power: 5 W (80 × 0,2 W / LED module)

Light Bar Dimensions: ø 23 × 448 mm

Remote Control Dimensions: ø 66,5 × 34 mm

Color Temperature: 2 7006 500 K

Color Rendering Index: Ra95

Luminous Flux: 270 lm

Rated Input: 5 V 1 A

Wireless Connectivity: 2,4 GHz

Operating Frequency: 2 4052 470 MHz

Maximum Output Power: 7,94 dBm

Manufactured for: Xiaomi Communications Co., Ltd.

Manufactured by: Qingdao Yeelink Information Technology Co., Ltd.

(a Mi Ecosystem company)

Address: 10F-B4, Building B, Qingdao International Innovation Park, No. 1 Keyuan Weiyi Road, Laoshan District, Qingdao City, Shandong Province, P. R. China For further information, please go to www.mi.com

Precautions

- One remote control can control multiple light bars, but a light bar can only be controlled by one remote control.
- When cleaning the surface of the light bar, wipe it clean with a soft cotton cloth. Never use any corrosive solvents.
- When installing or moving the light bar, please take both of the light bar and base to avoid damage to the product or personal injury caused by falling parts.
- Make sure the positive (+) and negative (-) poles are installed correctly when placing the batteries into the remote control.
- The running-out non-rechargeable batteries cannot be recharged. Different types of batteries, as well as old

and new batteries should not be mixed.

- If the remote control does not work properly after a period of normal use, the battery level may be low. Please replace the batteries with new ones, and properly dispose of the old batteries in accordance with local rules and regulations so as to avoid environmental pollution.
- After replacing the remote control's batteries please recycle the old batteries to avoid environmental pollution.
- The batteries must be removed from the the remote control when the remote control is not used for a long time or when is is being disposed of.
- Remove leaking batteries from the remote control and dispose of them in accordance with local rules and regulations so as to avoid environmental pollution.
- The light source contained in this luminaire shall only be replaced by the manufacturer or his service agent or a similar qualified person.
- This product is intended for indoor use only.
- Under normal use of condition, this equipment should be kept a separation distance of at least 20 cm between the antenna and the body of the user.
- When installing the light bar onto the base, make sure the power contact points on the light bar and the base are aligned correctly.

Importer:

Beryko s.r.o.

Na Roudné 1162/76, 301 00 Plzeň

www.beryko.cz



EU Declaration of Conformity

Hereby, Qingdao Yeelink Information Technology Co., Ltd. declares that the radio equipment type MJGJD01YL is in compliance with Directive 2014/53/EU. The full text of the EU declaration of conformity is available at the following internet address: <https://www.mi.com/en/service/support/declaration.html>.



WEEE Disposal and Recycling

All products bearing this symbol are waste electrical and electronic equipment (WEEE as in directive 2012/19/EU) which should not be mixed with unsorted household waste. Instead, you should protect human health and the environment by handing over your waste equipment to a designated collection point for the recycling of waste electrical and electronic equipment, appointed by the government or local authorities. Correct disposal and recycling will help prevent potential negative consequences to the environment and human health. Please contact the installer or local authorities for more information about the location as well as terms and conditions of such collection points.

Documents / Resources



[MI Computer Monitor Light Bar](#) [pdf] User Manual Computer Monitor Light Bar

References

- [Beryko.cz](#)
- [Mi United States](#)